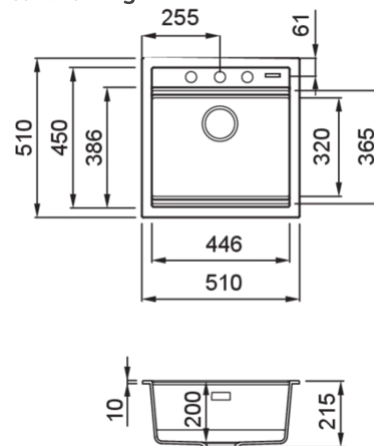


## BEST 104



### Technical Drawing



0

<b>Description</b>	1-bowl sink
<b>Model</b>	BEST 104
<b>Base (mm)</b>	500     600 if first component
<b>0</b>	Inset
<b>Dimensions (mm)</b>	510 x 510
<b>Hole for built-in installation (mm)</b>	490 x 480
<b>Bowl Depth (mm)</b>	200



0

<b>Gross Weight (kg)</b>	12,60
<b>Net Weight (kg)</b>	9,00
<b>Packaging Dimension (kg)</b>	690 x 575 x 300
<b>0 (kg)</b>	0,119

0

### Packaging

0 Space-saving siphon, integrated Flow Pro, rectangular overflow and hooks.

## KERATEK



**LKB10486** K86  
8032557029434



**LKB10493** K93  
8032861020448



**LKB10495** K95  
8032861020486



**LKB10496** K96  
8032861020455



**LKB10497** K97  
8032861020493



**LKB10499** K99  
8032861020509

# GRANITEK

## METAL



**LMB10473** M73  
8031873119225



**LMB10479** M79  
8031873119232

# GRANITEK

## MATT



**LGB10478** G78  
8032557066859



**LGB10440** G40  
8032557064893



**LGB10443** G43  
8032557064909



**LGB10448** G48  
8032557064916



**LGB10468** G68  
8032557064923

# GRANITEK

## CLASSIC



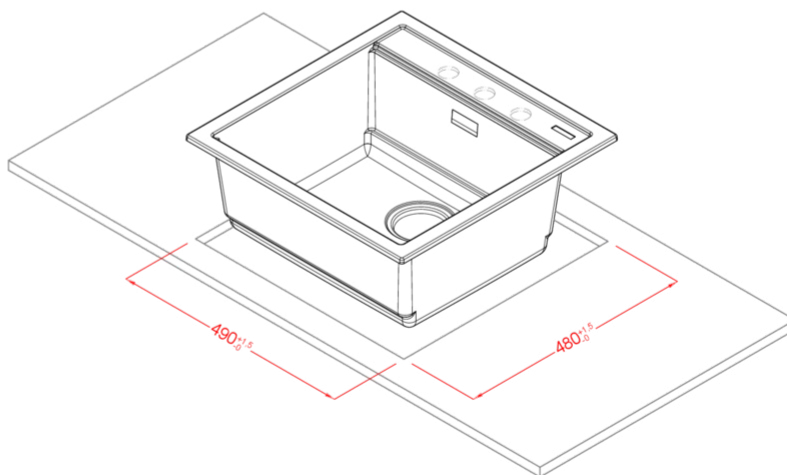
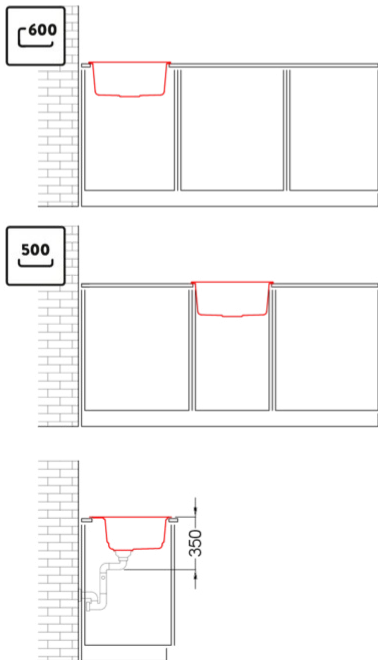
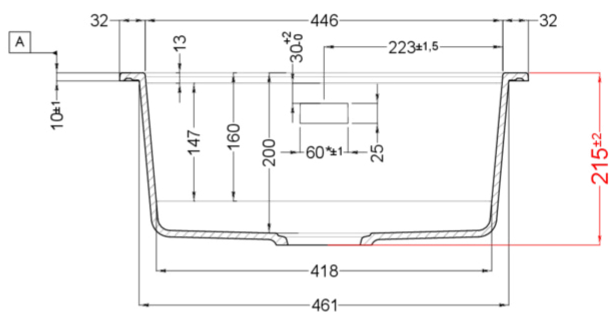
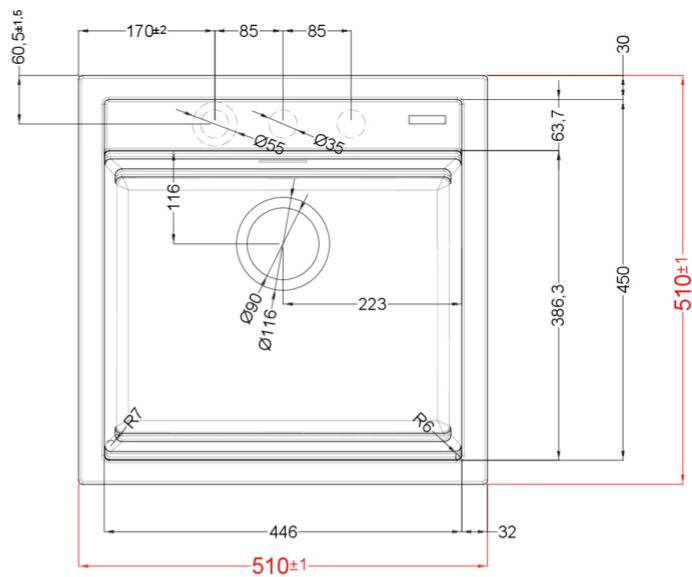
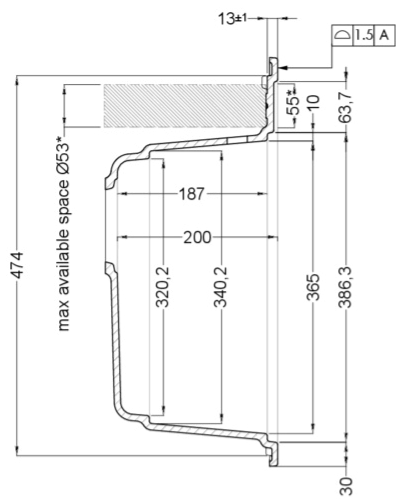
**LGB10451** G51  
8032557064978



**LGB10459** G59  
8032557064985



**LGB10462** G62  
8032557064992



## Best 104

general tolerances where not expressly communicated ±1 mm  
 connection dimensions according to UNI EN 695  
 eventual exceptions are reported with \*

elleci