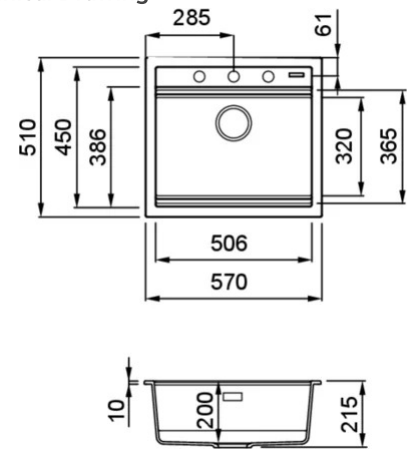


BEST 105 LIMITED EDITION



Technical Drawing



0

Description	1-bowl sink
Model	BEST 105 LIMITED EDITION
Base (mm)	600
0	Inset
Dimensions (mm)	570 x 510
Hole for built-in installation (mm)	550 x 480
Bowl Depth (mm)	200

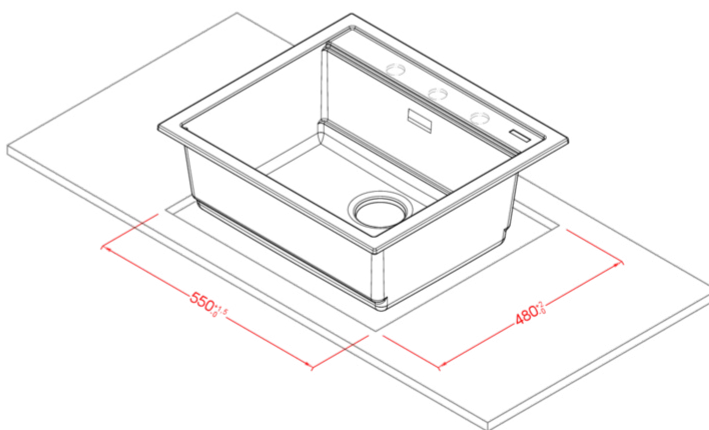
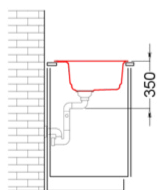
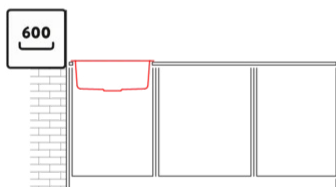
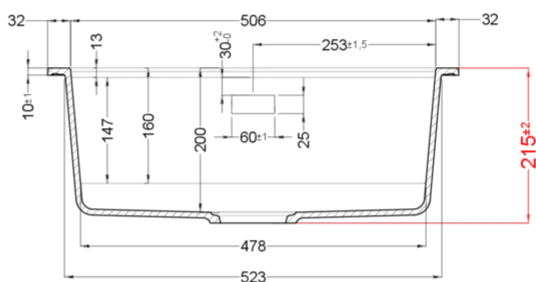
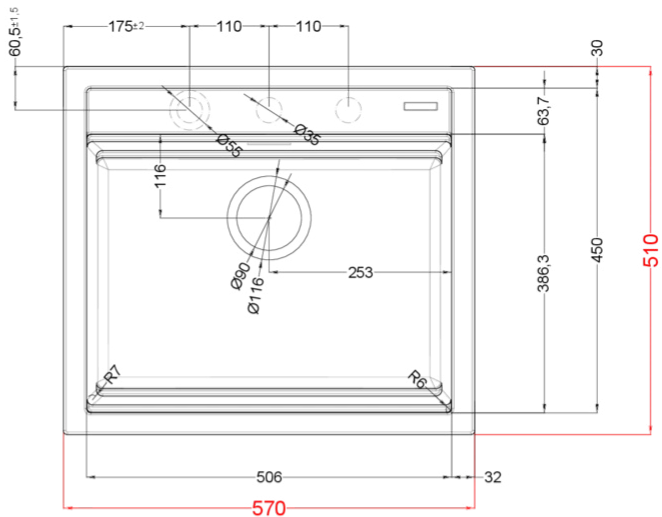
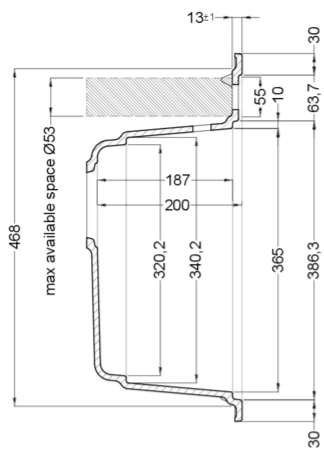
600

0

Gross Weight (kg)	13,60
Net Weight (kg)	10,00
Packaging Dimension (kg)	690 x 575 x 300
0 (kg)	0,119

0

Packaging	Cardboard and polyethylene
------------------	----------------------------



Best 105

general tolerances where not expressly communicated ± 1 mm
 connection dimensions according to UNI EN 695
 eventual exception are reported with *

elleci