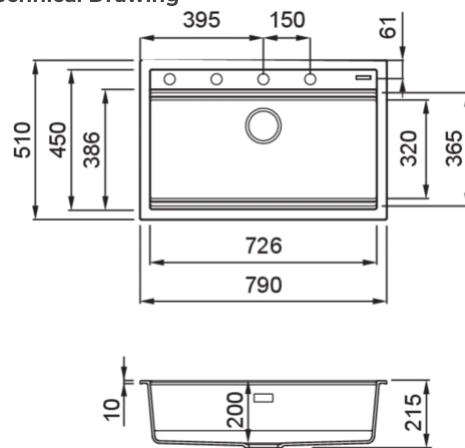


BEST 130 LIMITED EDITION



Technical Drawing



800

0

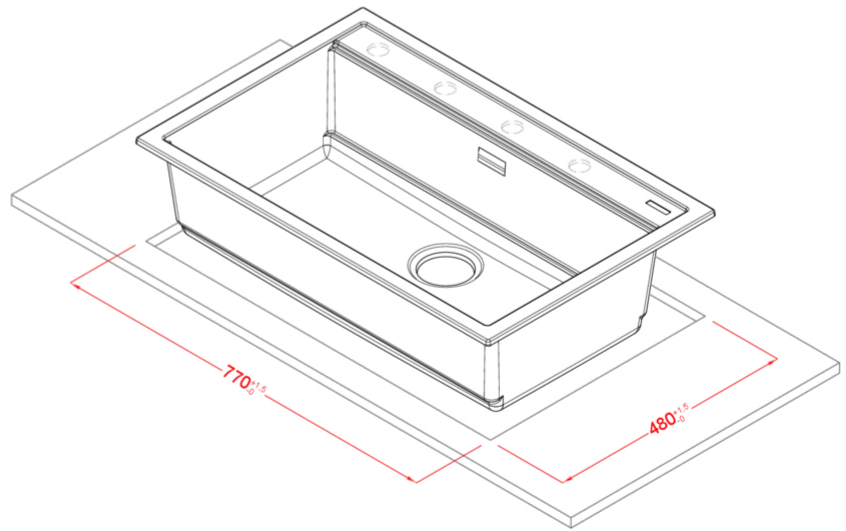
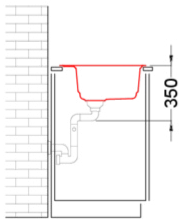
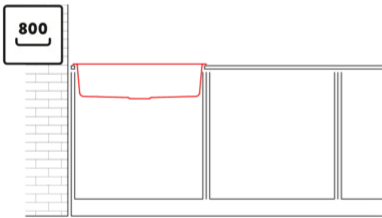
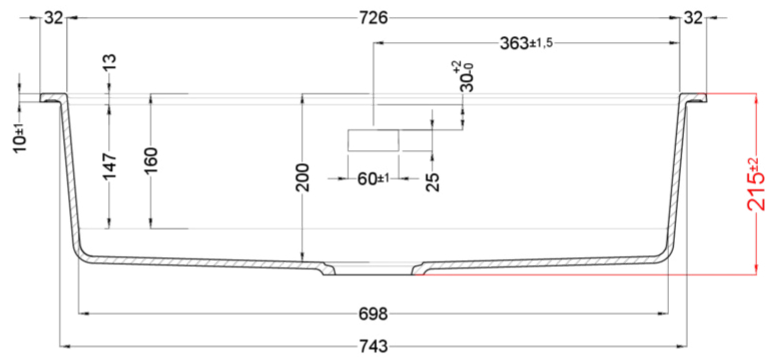
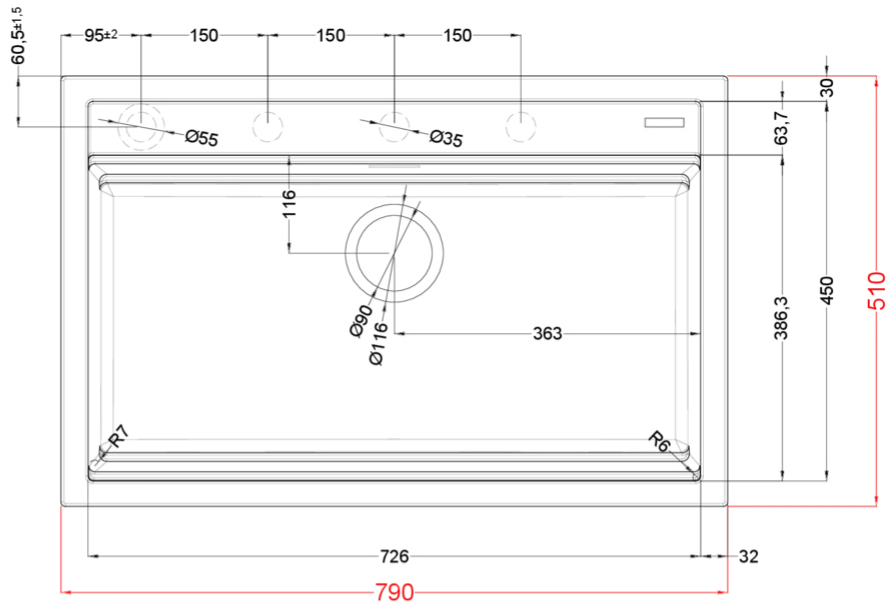
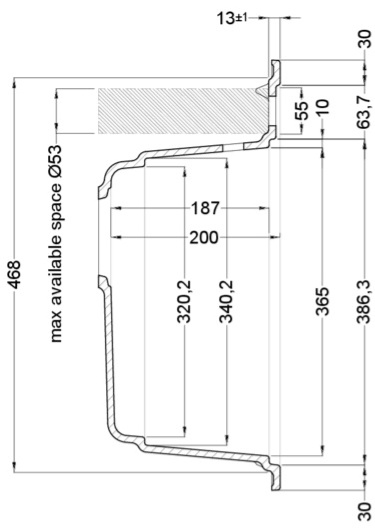
Description	1-bowl sink
Model	BEST 130 LIMITED EDITION
Base (mm)	800
0	Inset
Dimensions (mm)	790 x 510
Hole for built-in installation (mm)	770 x 480
Bowl Depth (mm)	200

0

Gross Weight (kg)	18,85
Net Weight (kg)	13,00
Packaging Dimension (kg)	870 x 575 x 300
0 (kg)	0,150

0

Packaging	Cardboard and polyethylene
------------------	----------------------------



Best 130

general tolerances where not expressly communicated ± 1 mm
 connection dimensions according to UNI EN 695
 eventual exceptions are reported with *

elleci