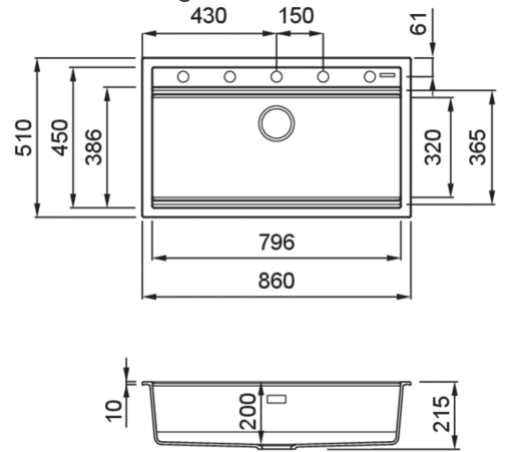


## BEST 360 BUNDLE



### Technical Drawing



0

**Description** 1-bowl sink with colander and Flex Drainer included

**Model** BEST 360 BUNDLE

**Base (mm)** 900

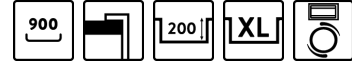
**0** Inset

**Dimensions (mm)** 860 x 510

**Hole for built-in installation (mm)** 840 x 480

**Number of Bowls** 1

**Bowl Depth (mm)** 200



0

**Packaging Dimension (kg)** 940 x 575 x 300

**0 (kg)** 0,162

0

**Packaging** Cardboard and polyethylene

**0** Space-saving siphon, integrated Flow Pro, rectangular overflow and hooks.

## KERATEK



**LKB36086K2** K86  
8032557027454



**LKB36093K2** K93  
8032557027461



**LKB36095K2** K95  
8032557027478



**LKB36096K2** K96  
8032557027485



**LKB36097K2** K97  
8032557027492



**LKB36099K2** K99  
8032557027508

## GRANITEK

METAL



**LMB36073K2** M73  
8031873117665



**LMB36079K2** M79  
8031873117689

# GRANITEK

## MATT



**LGB36040K2** G40  
8031873069810



**LGB36043K2** G43  
8031873069827



**LGB36048K2** G48  
8031873069834



**LGB36068K2** G68  
8031873069872



**LGB36078K2** G78  
8032557066903

# GRANITEK

## CLASSIC



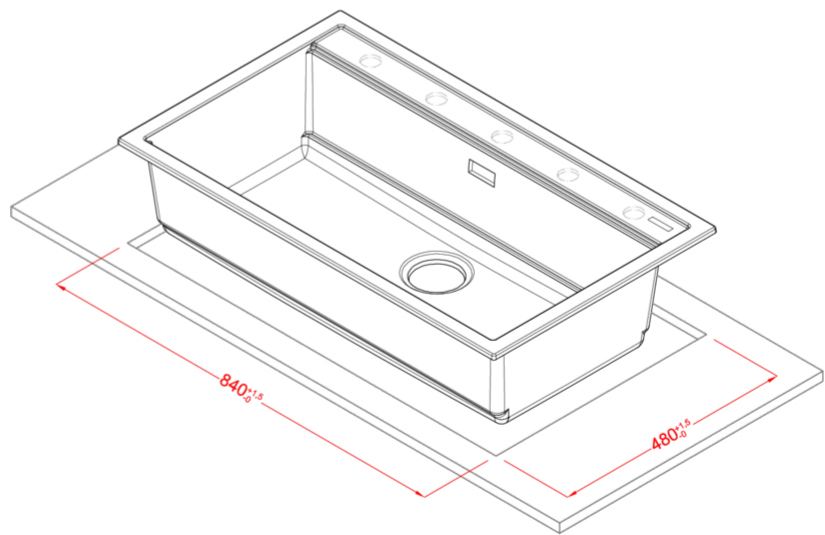
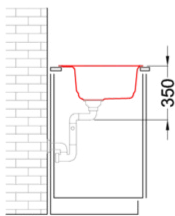
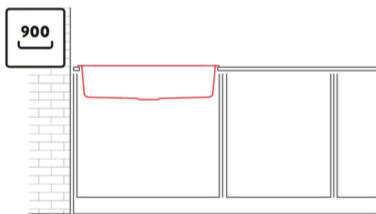
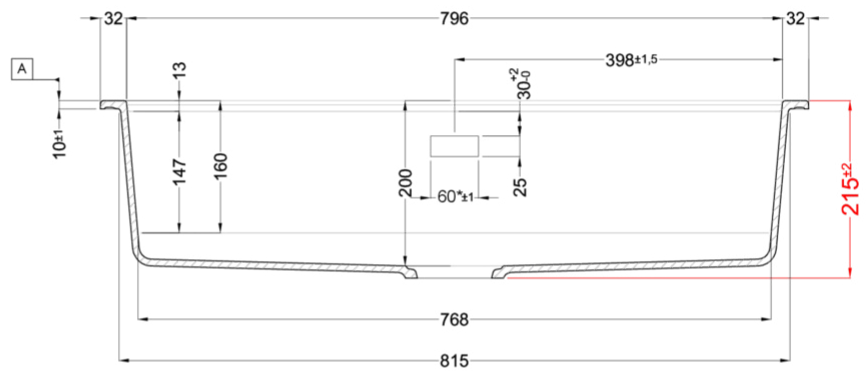
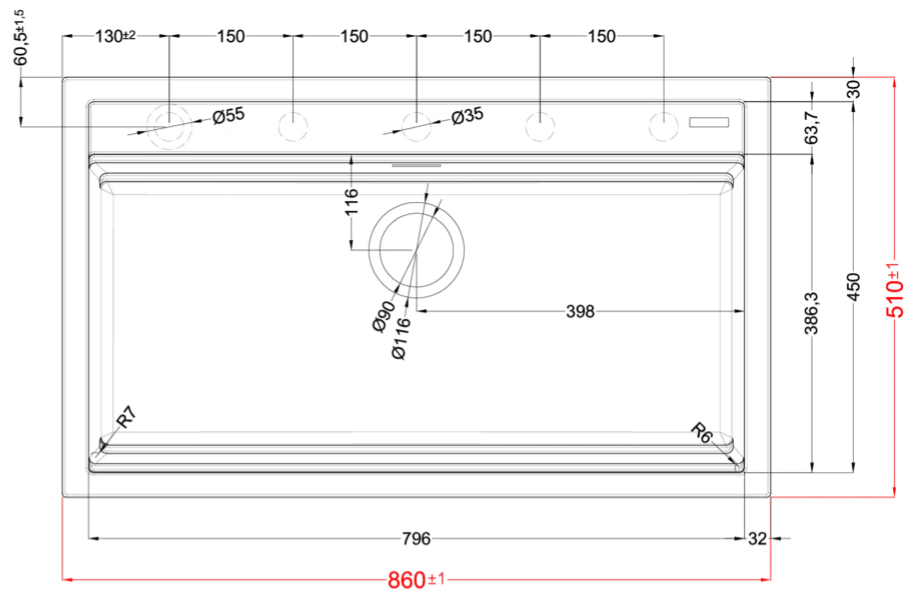
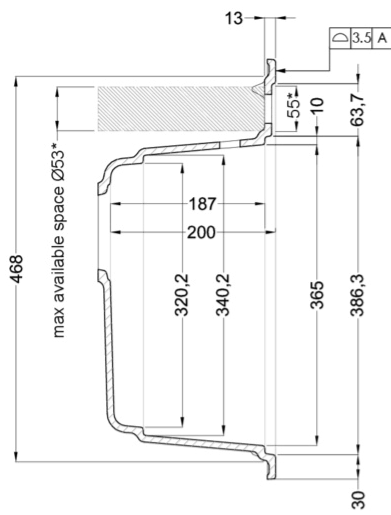
**LGB36051K2** G51  
8031873069841



**LGB36059K2** G59  
8031873069858



**LGB36062K2** G62  
8031873069865



## Best 360

general tolerances where not expressly communicated  $\pm 1$  mm  
 connection dimensions according to UNI EN 695  
 eventual exceptions are reported with \*

elleci