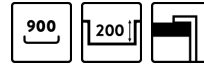
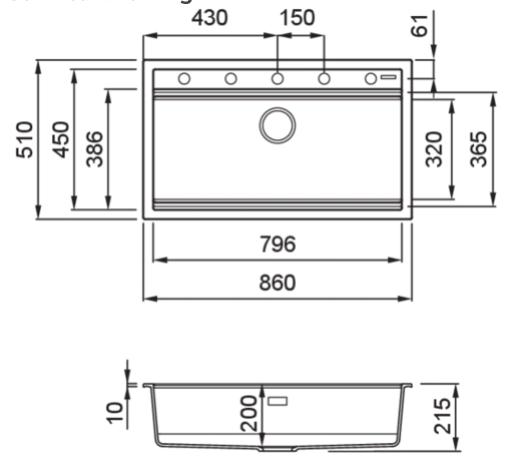


## BEST 360 LIMITED EDITION



### Technical Drawing



0

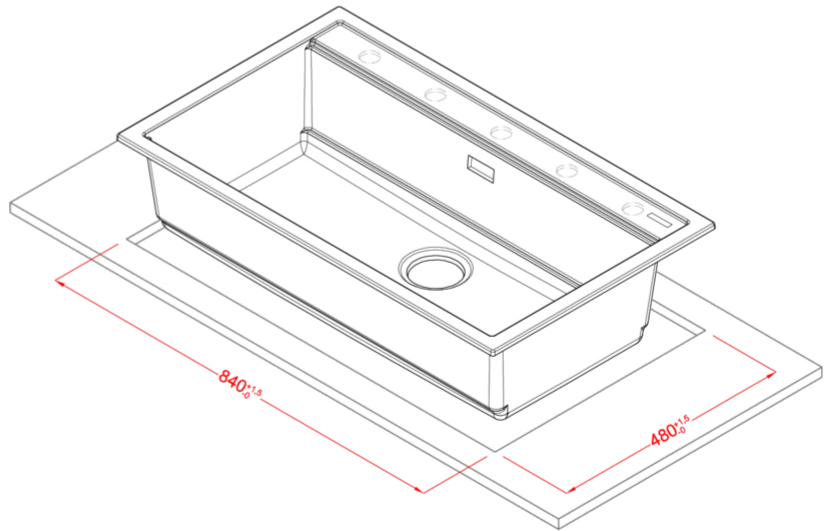
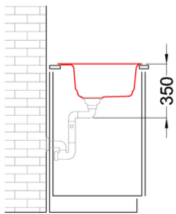
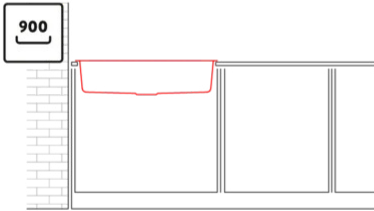
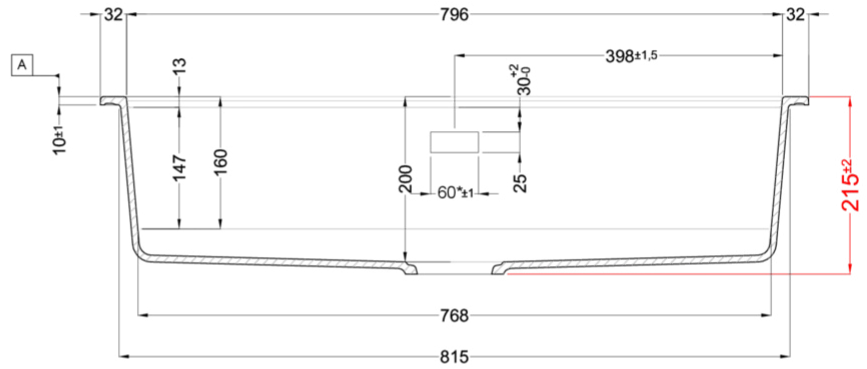
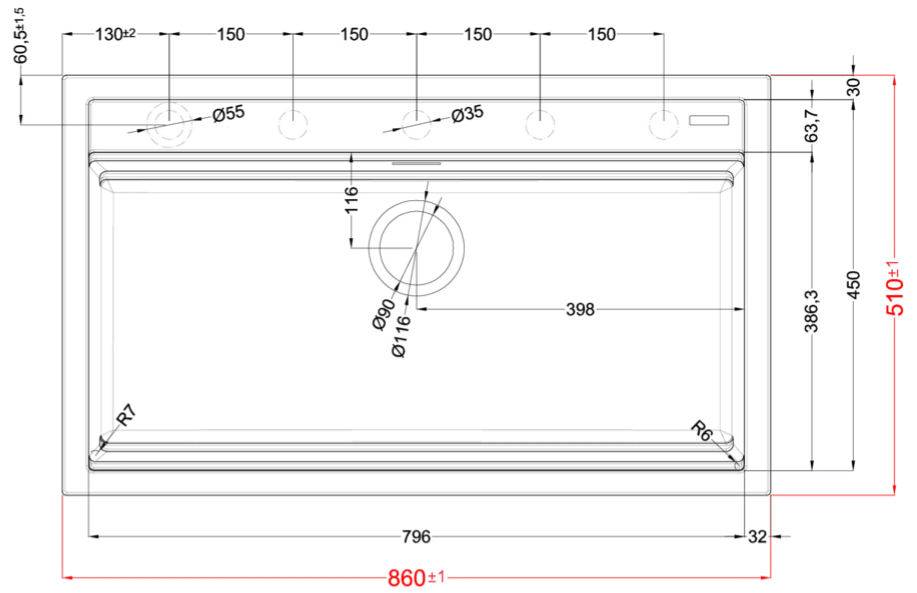
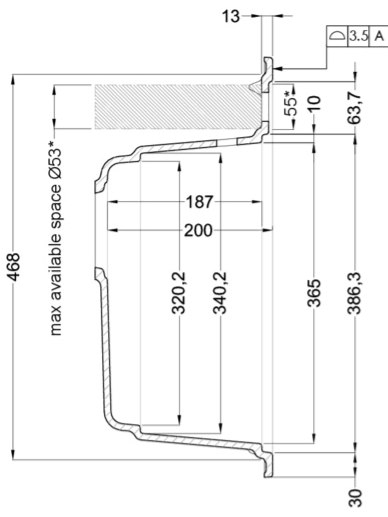
<b>Description</b>	1-bowl sink
<b>Model</b>	BEST 360 LIMITED EDITION
<b>Base (mm)</b>	900
0	Inset
<b>Dimensions (mm)</b>	860 x 510
<b>Hole for built-in installation (mm)</b>	840 x 480
<b>Bowl Depth (mm)</b>	200

0

<b>Gross Weight (kg)</b>	19,40
<b>Net Weight (kg)</b>	14,50
<b>Packaging Dimension (kg)</b>	940 x 575 x 300
0 (kg)	0,162

0

<b>Packaging</b>	Cardboard and polyethylene
------------------	----------------------------



## Best 360

general tolerances where not expressly communicated  $\pm 1$  mm  
 connection dimensions according to UNI EN 695  
 eventual exceptions are reported with \*

elleci