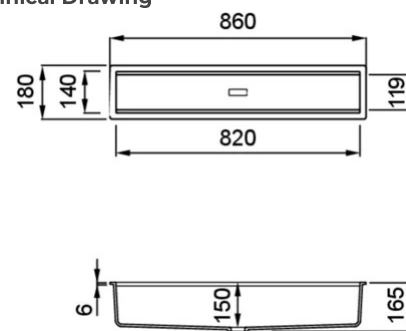


# DIALOGO 360 CANALE ATTREZZATO

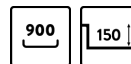


## Technical Drawing



0

|  |   |
|--|---|
| <b>Description</b>                         | 1-bowl accessory sink                           |
| <b>Model</b>                               | DIALOGO 360 CANALE ATTREZZATO                   |
| <b>Base (mm)</b>                           | 900   |
| <b>0</b>                                   | Inset, Undermount<br>Undermount                 |
| <b>Dimensions (mm)</b>                     | 860 x 180                                       |
| <b>Hole for built-in installation (mm)</b> | 850 x 170 R5 (Inset), 820 x 140 R4 (Undermount) |
| <b>Bowl Depth (mm)</b>                     | 150   |

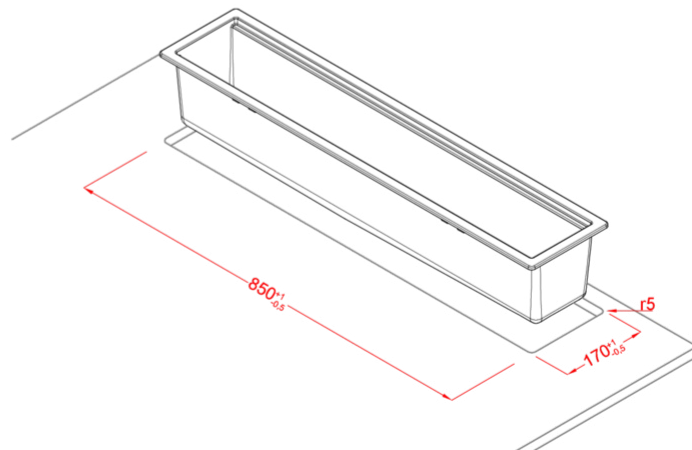
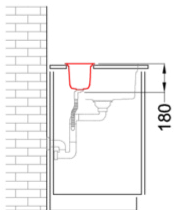
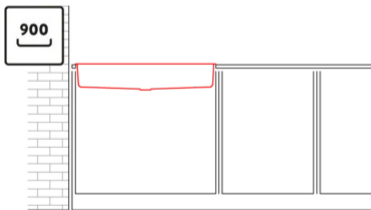
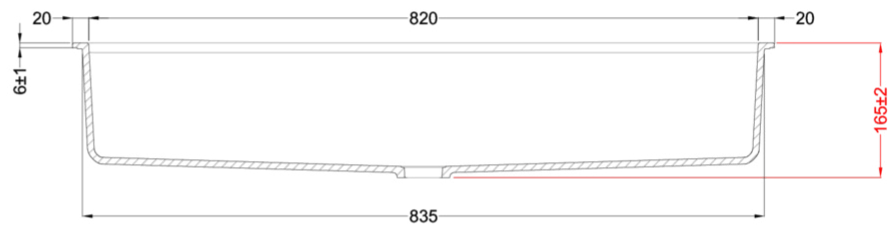
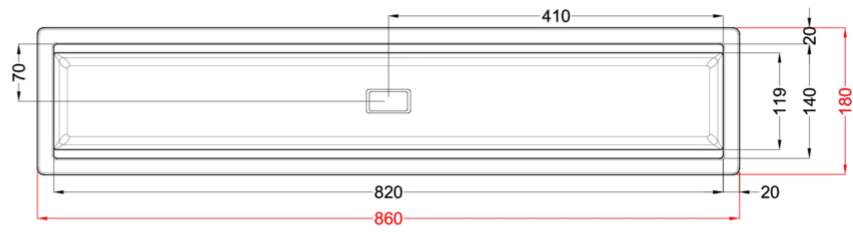
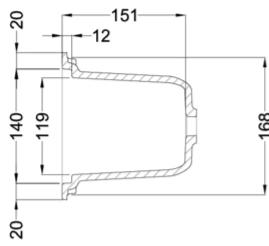


0

|                                 |                 |
|---------------------------------|-----------------|
| <b>Gross Weight (kg)</b>        | 8,90            |
| <b>Net Weight (kg)</b>          | 5,50            |
| <b>Packaging Dimension (kg)</b> | 940 x 300 x 300 |

0

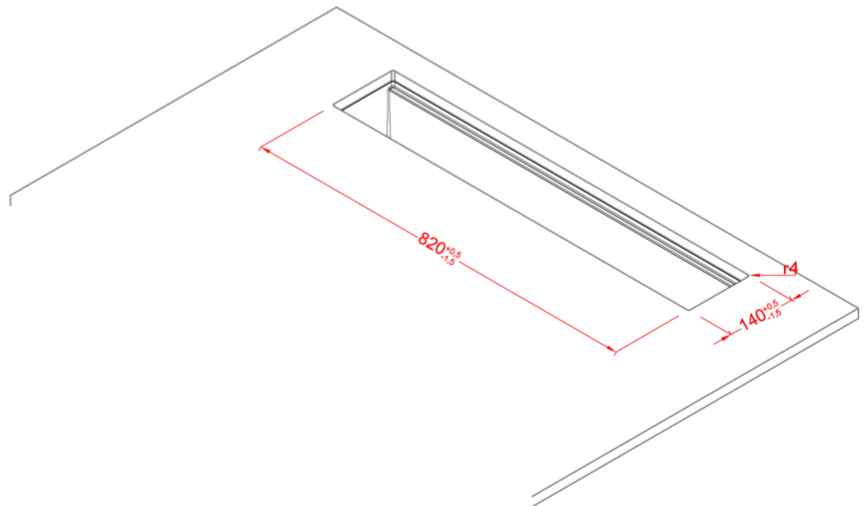
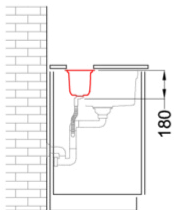
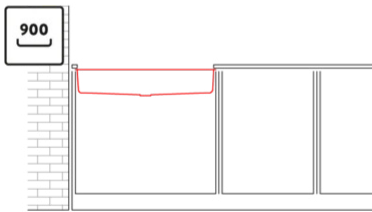
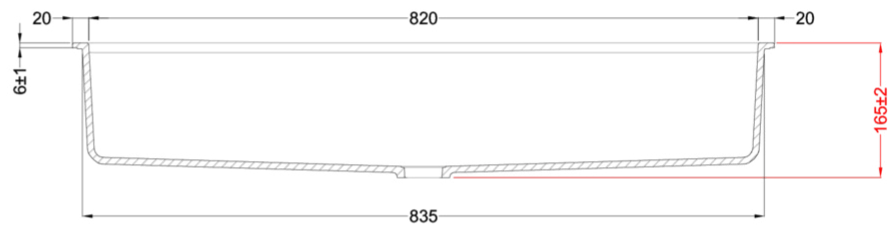
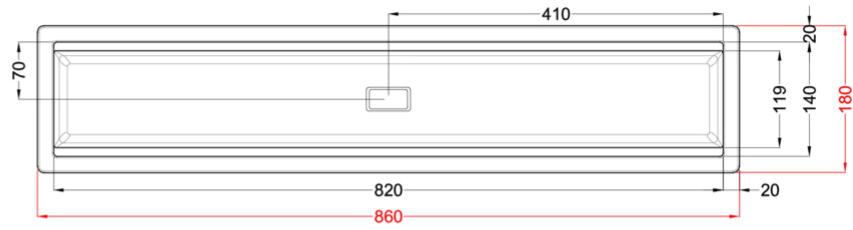
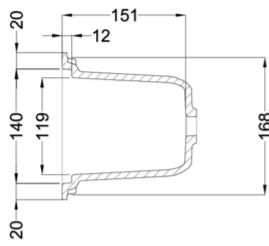
|                  |                            |
|------------------|----------------------------|
| <b>Packaging</b> | Cardboard and polyethylene |
|------------------|----------------------------|



## DIALOGO C86

general tolerances where not expressly communicated  $\pm 0.2\%$   
connection dimensions according to UNI EN 695





## DIALOGO C86 UNDERMOUNT

general tolerances where not expressly communicated  $\pm 0.2\%$   
connection dimensions according to UNI EN 695

