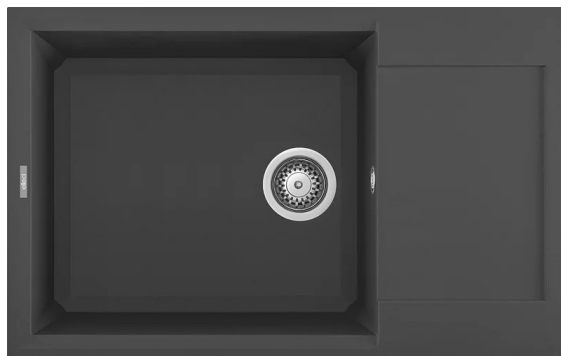
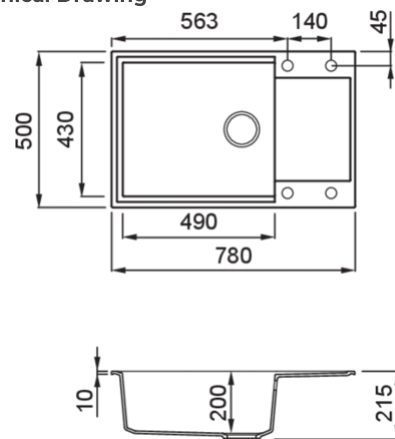


EASY 310



Technical Drawing



0

Description	1-bowl sink with drainer
Model	EASY 310
Base (mm)	600 800 if first component
0	Inset
Dimensions (mm)	780 x 500
Hole for built-in installation (mm)	760 x 480
Number of Bowls	1
Bowl Depth (mm)	200



0

Gross Weight (kg)	16,63
Net Weight (kg)	11,20
Packaging Dimension (kg)	870 x 575 x 300
0 (kg)	0,150

0

Packaging	Cardboard and polyethylene
0	Space-saving siphon, wastes and hooks.

GRANITEK

METAL



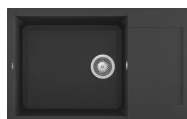
LMY31073 M73
8032861959847



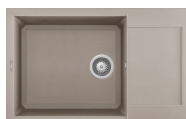
LMY31079 M79
8032861959861

GRANITEK

MATT



LGY31040 G40
8032557034292



LGY31043 G43
8032557034308



LGY31048 G48
8032557035138



LGY31068 G68
8032557034322



LGY31078 G78
8032557067375

GRANITEK

CLASSIC



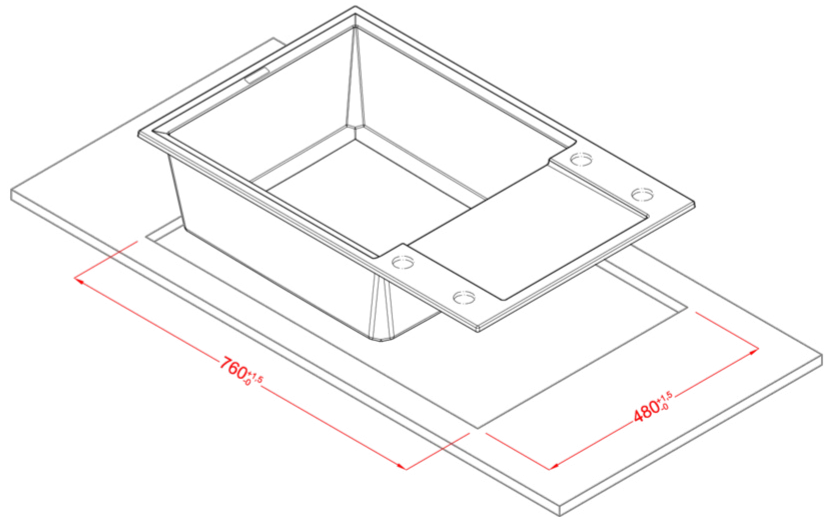
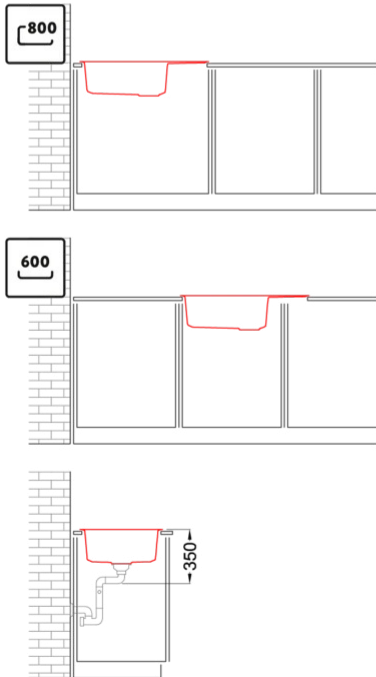
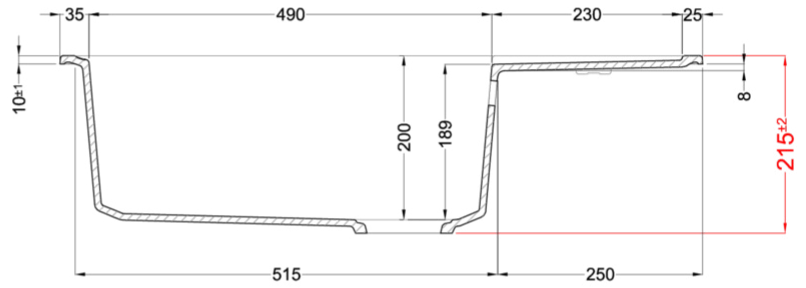
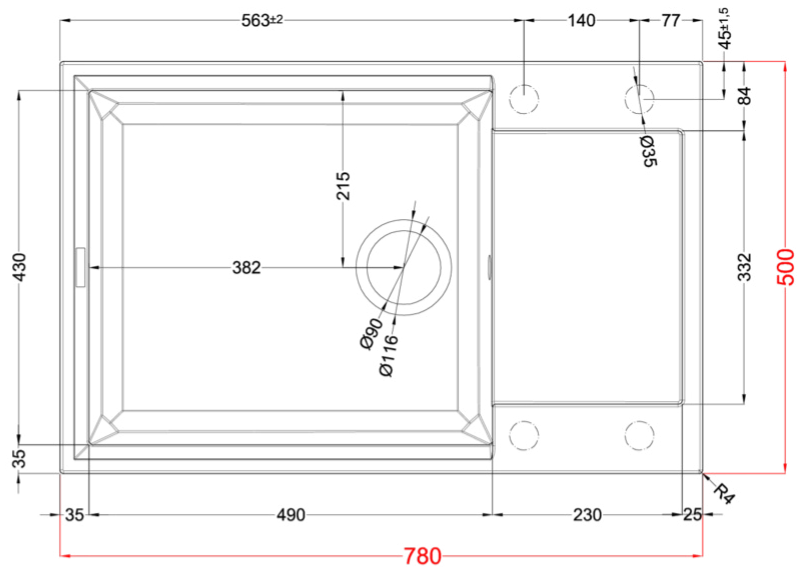
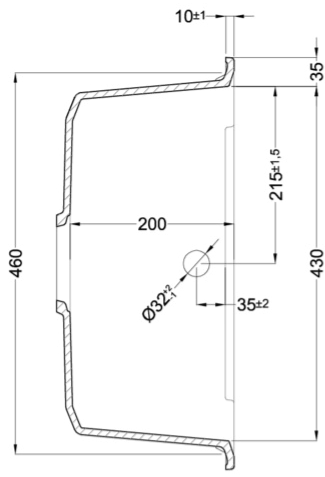
LGY31051 G51
8032557035091



LGY31059 G59
8032861030140



LGY31062 G62
8032557034315



Easy 310

general tolerances where not expressly communicated ± 1 mm
 connection dimensions according to UNI EN 695
 eventual exception are reported with *

elleci