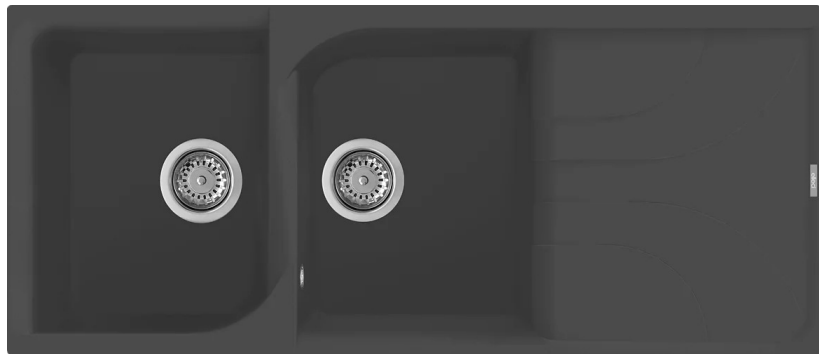
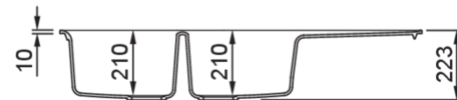
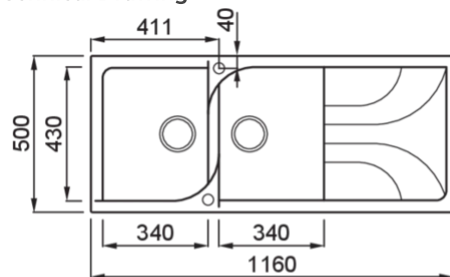


EGO 500



Technical Drawing



0	
Description	2-bowl sink with drainer
Model	EGO 500
Base (mm)	800
0	Inset
Dimensions (mm)	1160 x 500
Hole for built-in installation (mm)	1140 x 485
Number of Bowls	2
0	
Gross Weight (kg)	23,04
Net Weight (kg)	16,50
Packaging Dimension (kg)	1250 x 575 x 300
0 (kg)	0,216
0	
Packaging	Cardboard and polyethylene
0	Space-saving siphon, wastes and hooks.

GRANITEK

METAL



LME50073 M73
8032861959021



LME50079 M79
8032557952817

GRANITEK

MATT



LGE50040 G40
8032557049456



LGE50043 G43
8032861042761



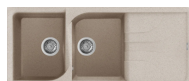
LGE50048 G48
8032557031215



LGE50068 G68
8032861059103

GRANITEK

CLASSIC



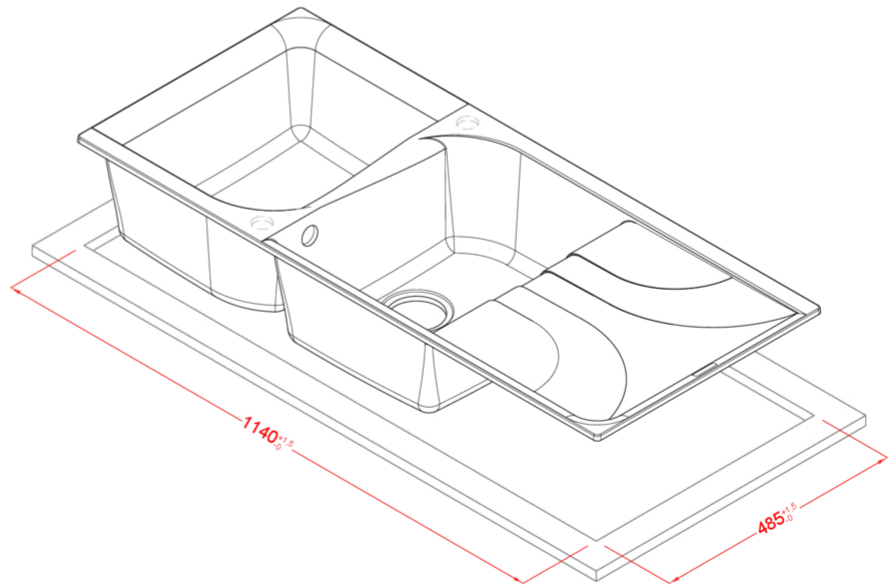
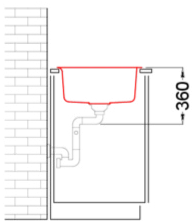
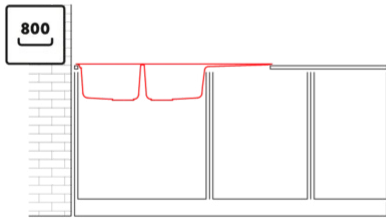
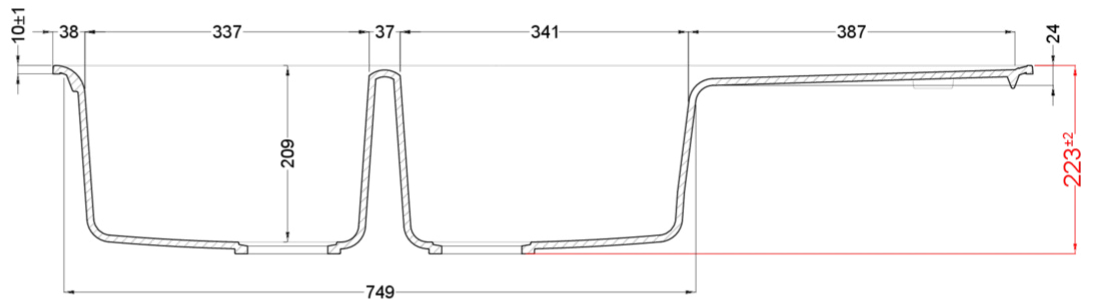
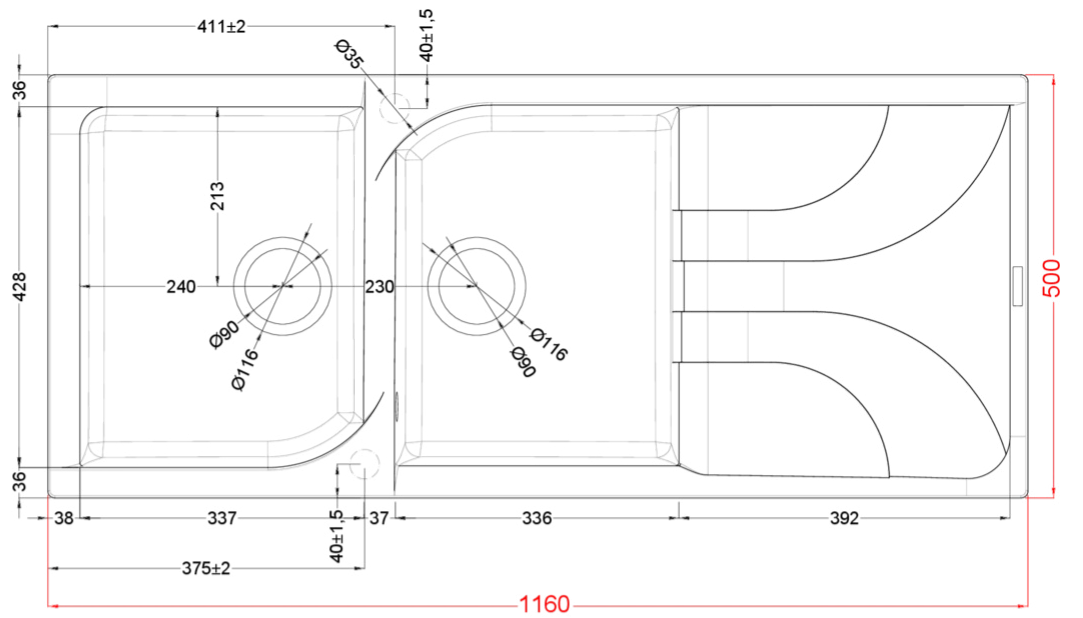
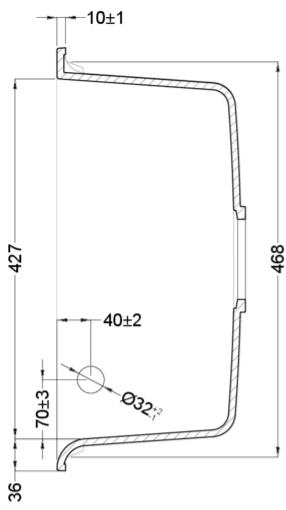
LGE50051 G51
8032861059035



LGE50059 G59
8032861059080



LGE50062 G62
8032861059097



Ego 500

general tolerances where not expressly communicated ± 1 mm
 connection dimensions according to UNI EN 695
 eventual exceptions are reported with *

elleci