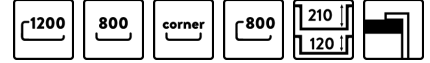
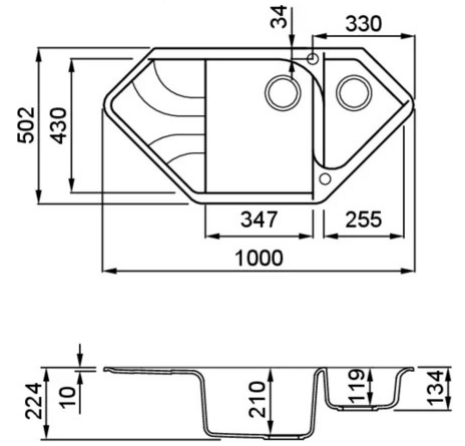


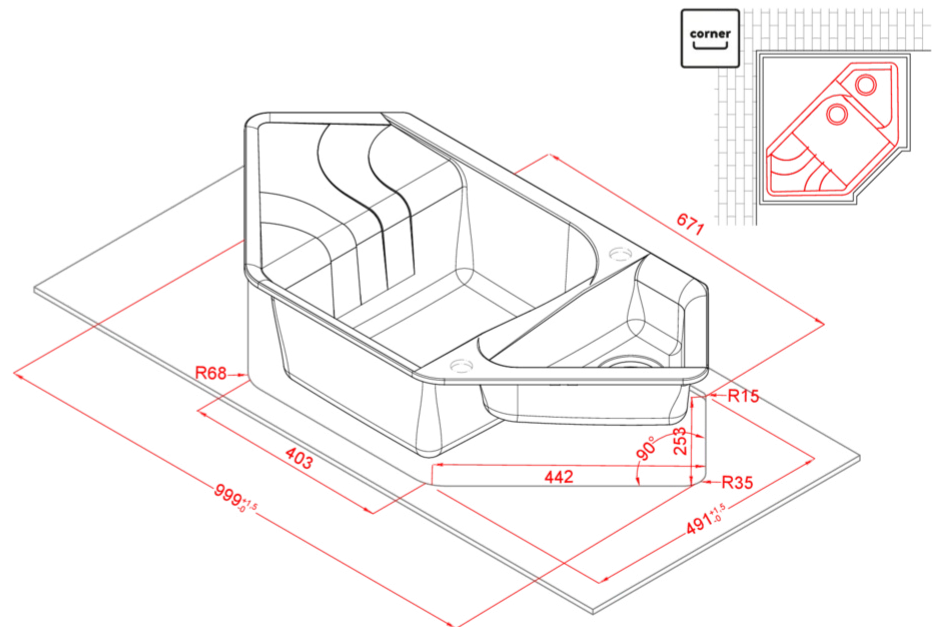
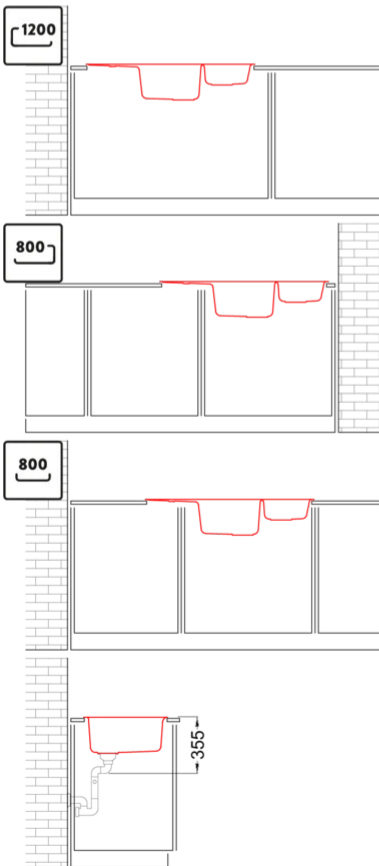
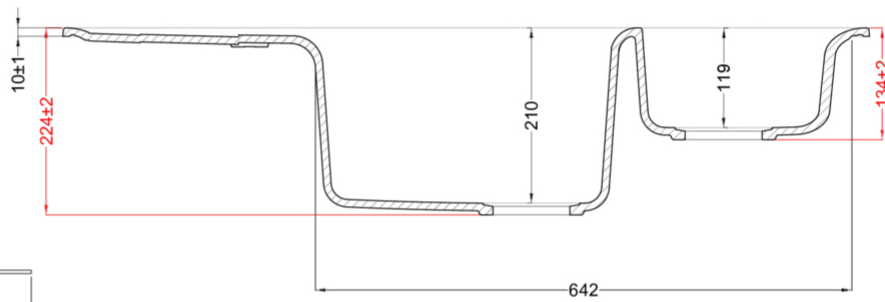
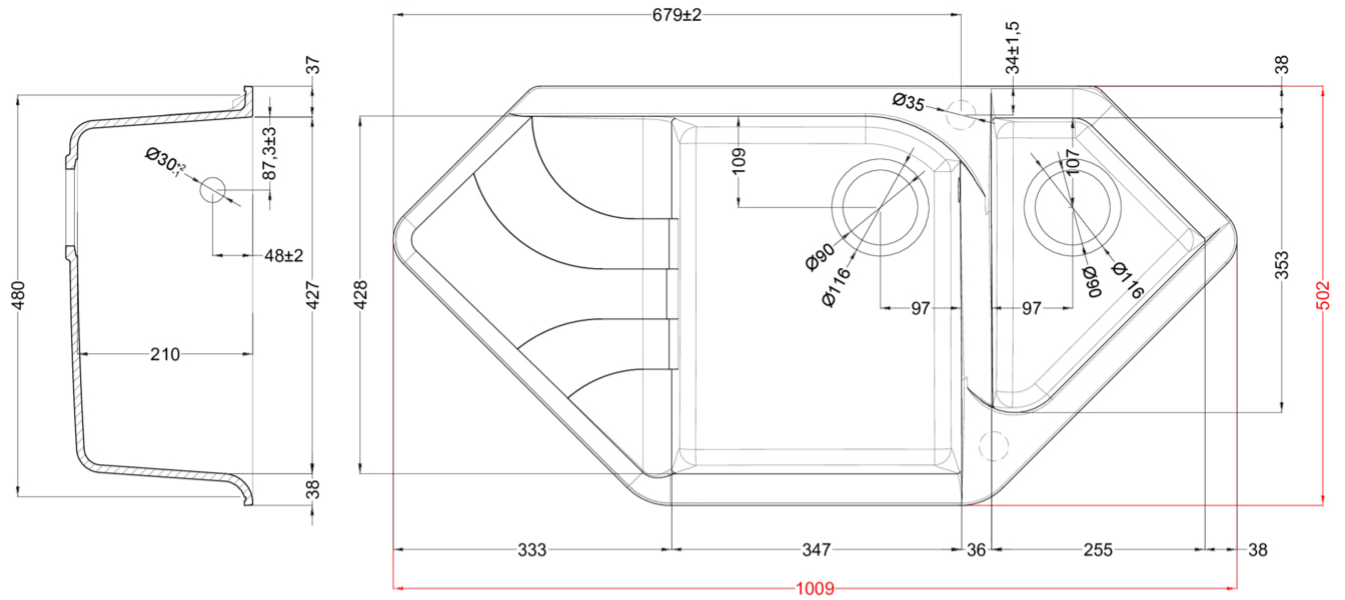
EGO CORNER



Technical Drawing



0	
Description	1½-bowl corner sink with drainer
Model	EGO CORNER
Base (mm)	Corner 800 if linear fitting 1200 if first component left 800 if first component right
0	Inset
Dimensions (mm)	1000 x 500
Hole for built-in installation (mm)	as per drawing
Number of Bowls	2
0	
Gross Weight (kg)	18,46
Net Weight (kg)	11,70
Packaging Dimension (kg)	1120 x 650 x 300
0 (kg)	0,218
0	
Packaging	Cardboard and polyethylene
0	Space-saving siphon, wastes and hooks.



EGO CORNER

general tolerances where not expressly communicated $\pm 0.2\%$
connection dimensions according to UNI EN 695

