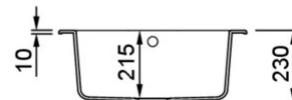
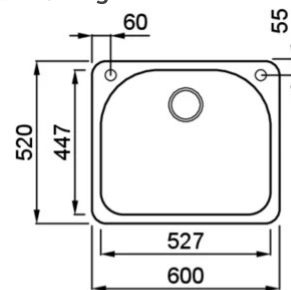


FOX 180



Technical Drawing



0	
Description	1-bowl sink
Model	FOX 180
Base (mm)	600
0	Inset
Dimensions (mm)	600 x 520
Hole for built-in installation (mm)	580 x 510 R32
Number of Bowls	1
Bowl Depth (mm)	215
0	
Gross Weight (kg)	16,04
Net Weight (kg)	11,10
Packaging Dimension (kg)	690 x 575 x 300
0 (kg)	0,119
0	
Packaging	Cardboard and polystyrene
0	Space-saving siphon, wastes and hooks.

GRANITEK

MATT



LGF18040BTP G40
8031873035945



LGF18068BTP G68
8032557038597

GRANITEK

CLASSIC



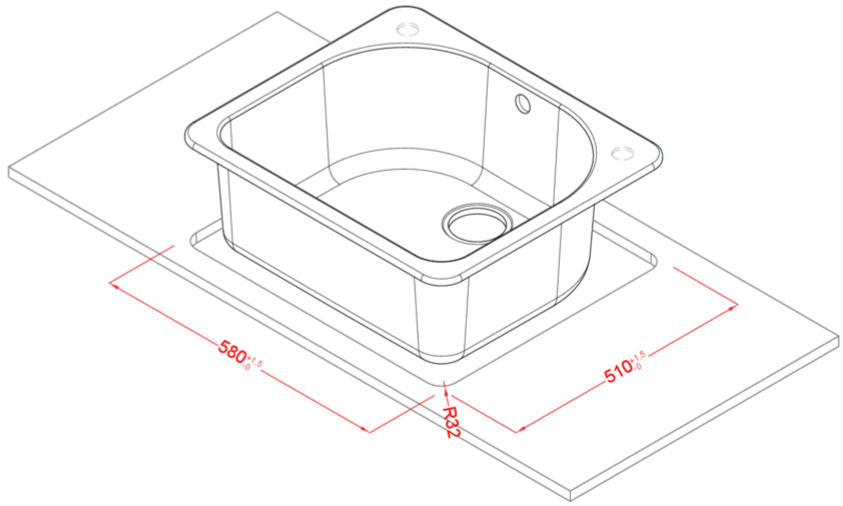
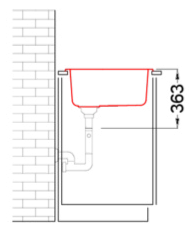
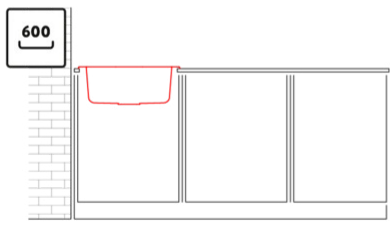
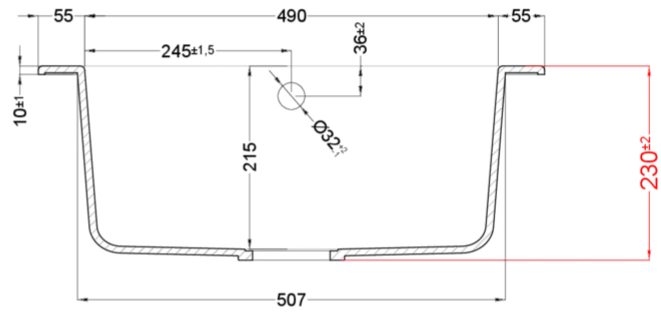
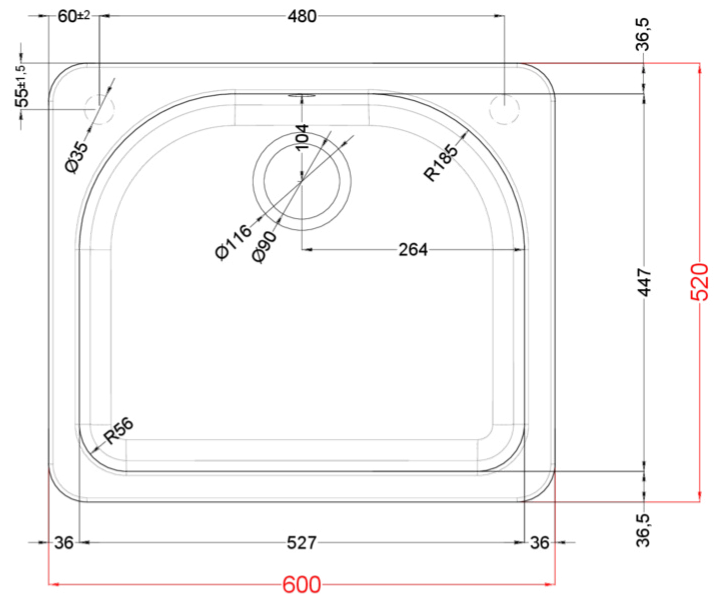
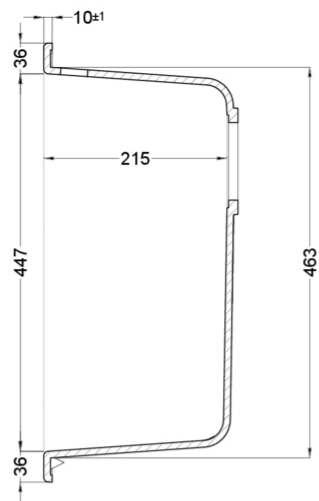
LGF18051BTP G51
8031873035471



LGF18059BTP G59
8031873035921



LGF18062BTP G62
8031873035259



Fox 180

general tolerances where not expressly communicated ± 1 mm
 connection dimensions according to UNI EN 695
 eventual exceptions are reported with *

