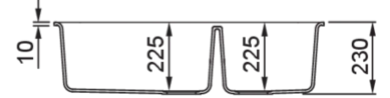
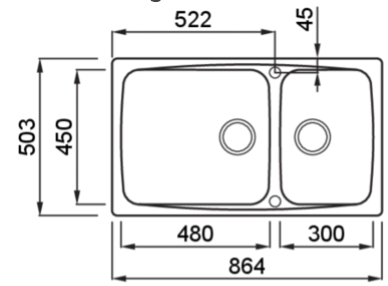


FOX 450



Technical Drawing



0

Description 2-bowl sink

Model FOX 450

Base (mm) 900

0 Inset

Dimensions (mm) 864 x 503

Hole for built-in installation (mm) 840 x 490

Number of Bowls 2



0

Gross Weight (kg) 22,48

Net Weight (kg) 16,50

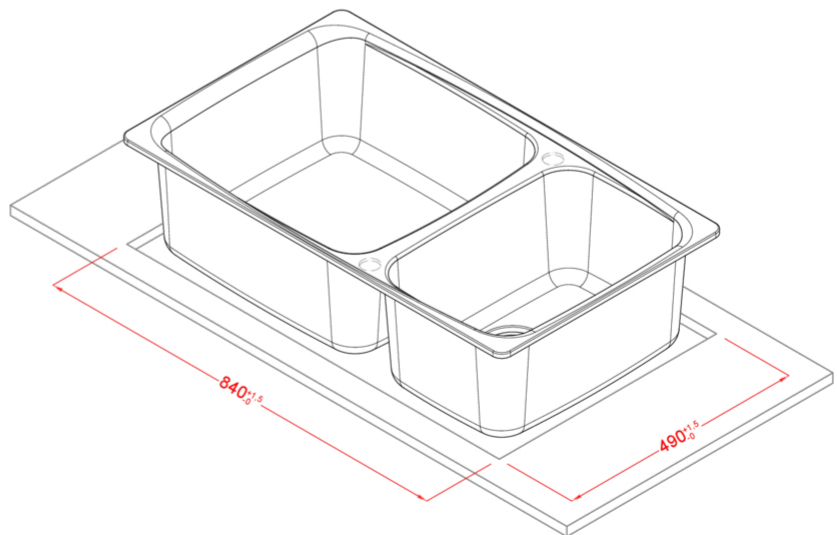
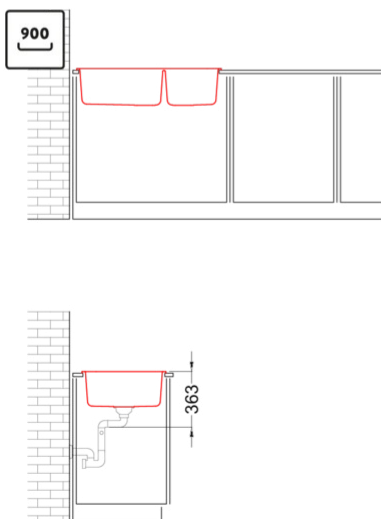
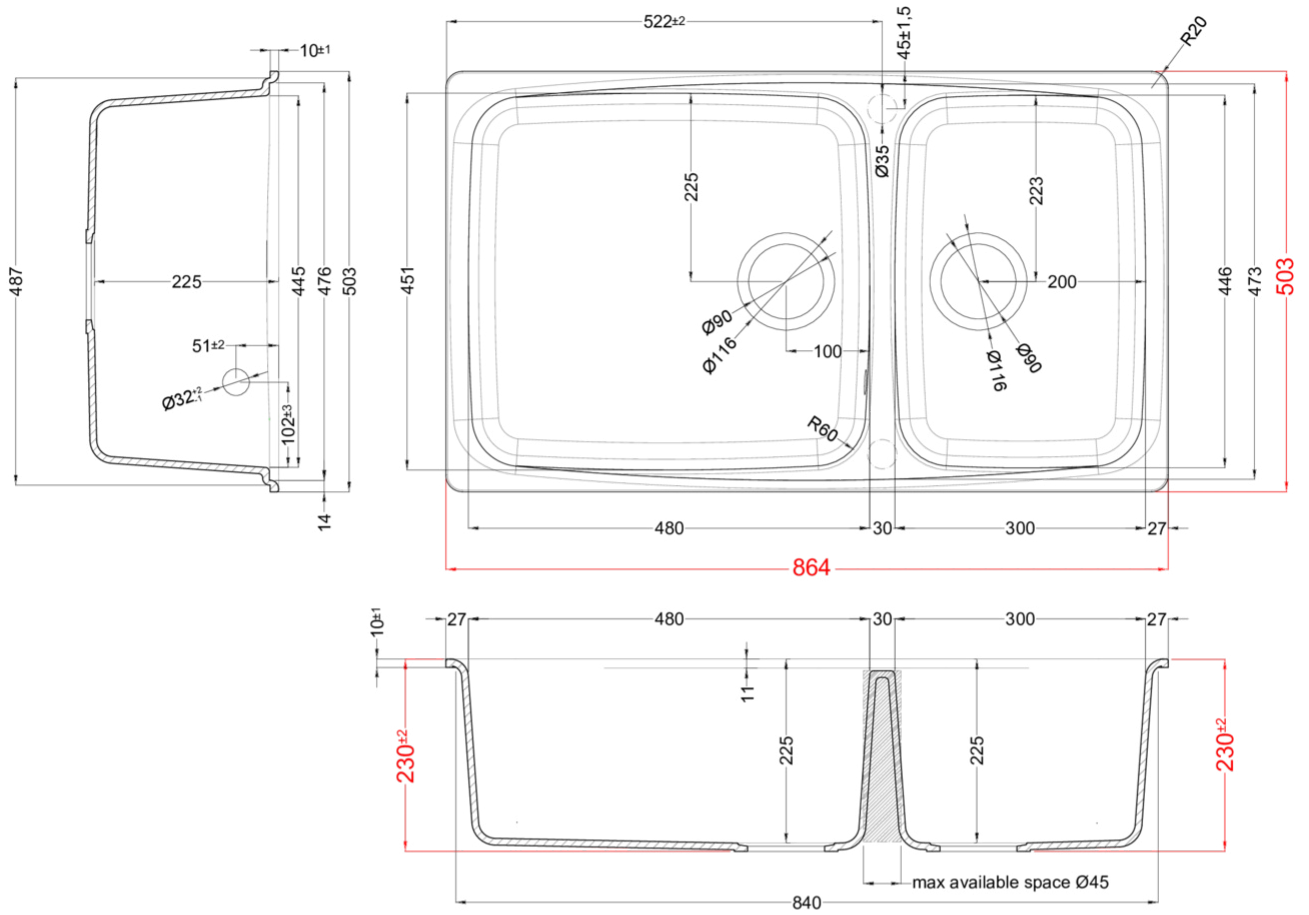
Packaging Dimension (kg) 940 x 585 x 300

0 (kg) 0,165

0

Packaging Cardboard and polyethylene

0 Space-saving siphon, wastes and hooks.



FOX 450

general tolerances where not expressly communicated $\pm 0.2\%$
connection dimensions according to UNI EN 695

