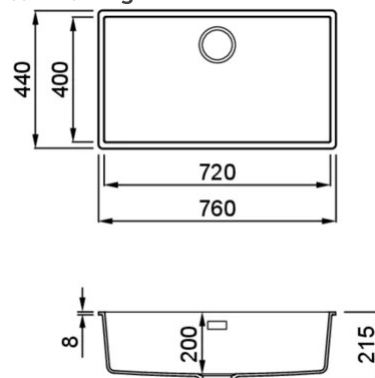


# INTEGRA 130



## Technical Drawing



0

<b>Description</b>	1-bowl sink
<b>Model</b>	INTEGRA 130
<b>Base (mm)</b>	800
<b>0</b>	Integrated and Undermount
<b>Dimensions (mm)</b>	760 x 440
<b>Hole for built-in installation (mm)</b>	720 x 400 R5
<b>Number of Bowls</b>	1
<b>Bowl Depth (mm)</b>	215



0

<b>Packaging Dimension (kg)</b>	870 x 575 x 300
---------------------------------	-----------------

0

<b>Packaging</b>	Cardboard and polyethylene
------------------	----------------------------

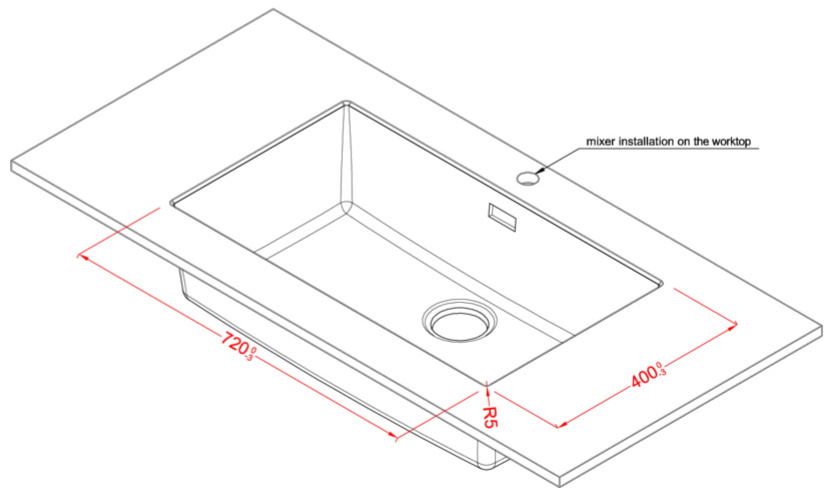
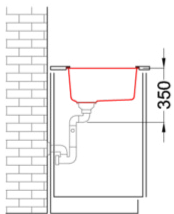
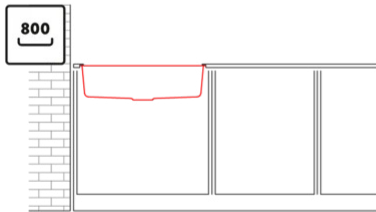
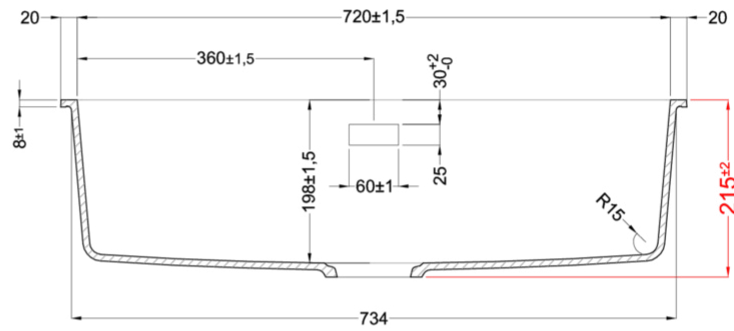
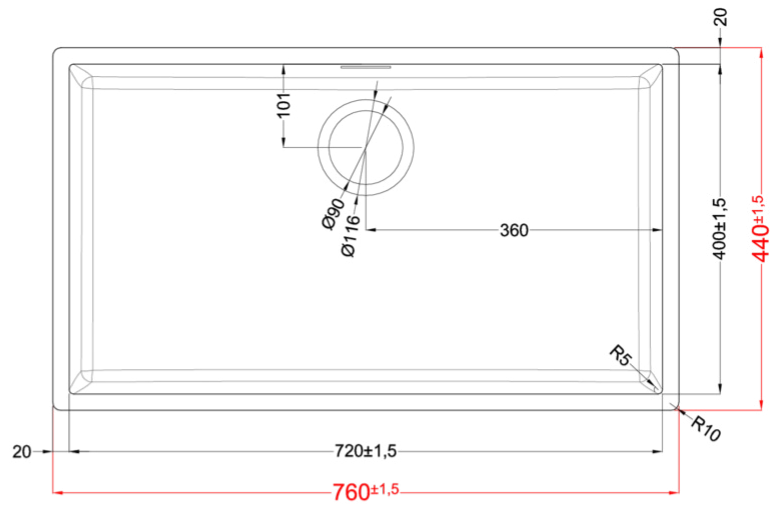
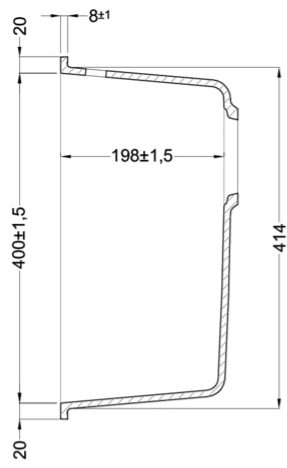
0

	Space-saving siphon, integrated Flow Pro, rectangular overflow and undermount kit.
--	--

## KERATEK



LKQ13093BIN K93  
8031873028220



# Integra 130 Integrated

general tolerances where not expressly communicated  $\pm 1$  mm  
 connection dimensions according to UNI EN 695  
 eventual exceptions are reported with \*

elleci