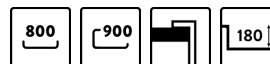
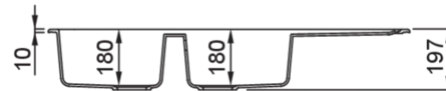
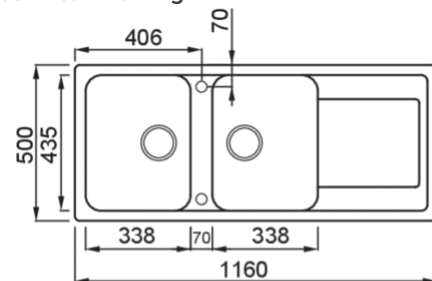


LIFE 500



Technical Drawing



0	
Description	2-bowl sink with drainer
Model	LIFE 500
Base (mm)	800 900 if first component
0	Inset
Dimensions (mm)	1160 x 500
Hole for built-in installation (mm)	1140 x 480
Number of Bowls	2
0	
Packaging Dimension (kg)	1250 x 575 x 300
0 (kg)	0,216
0	
0	Space-saving siphon, wastes and hooks.

GRANITEK

METAL



LM250073 M73
8032557110163



LM250079 M79
8032557110170

GRANITEK

MATT



LG250078 G78
8032557067849



LG250040 G40
8032557067771



LG250043 G43
8032557067788



LG250048 G48
8032557067795



LG250068 G68
8032557067832

GRANITEK

CLASSIC



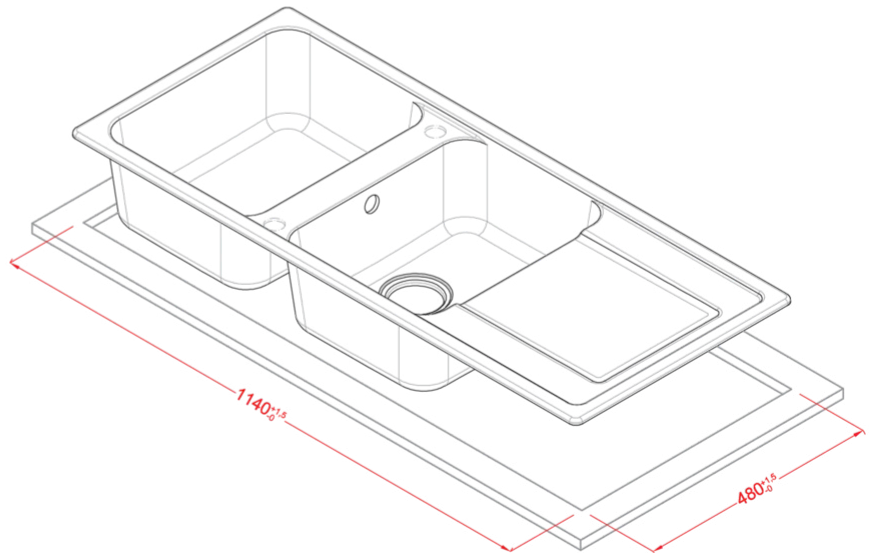
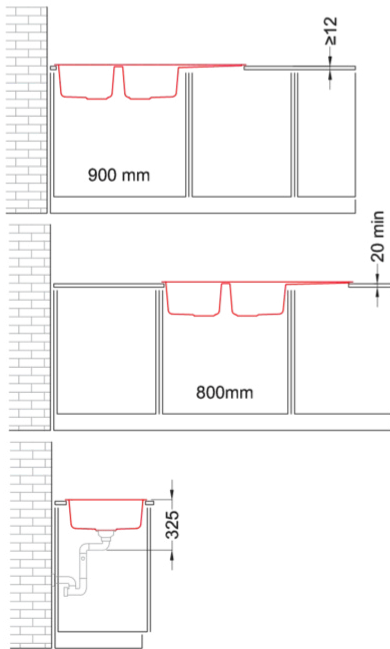
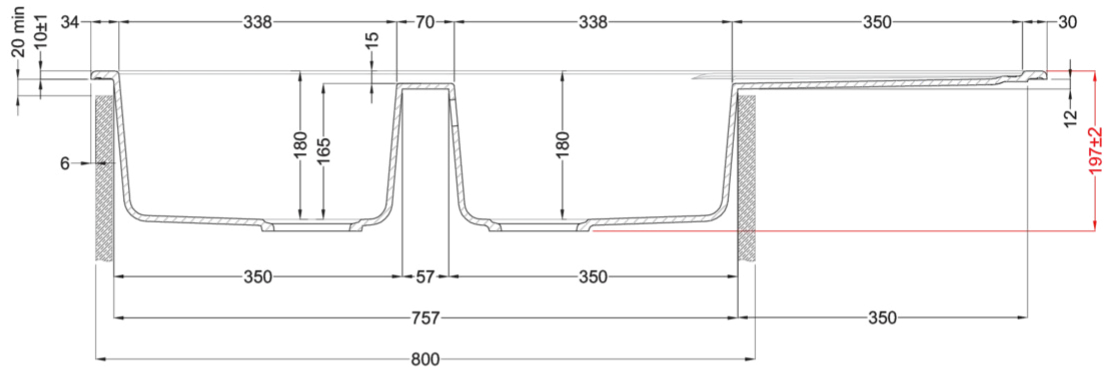
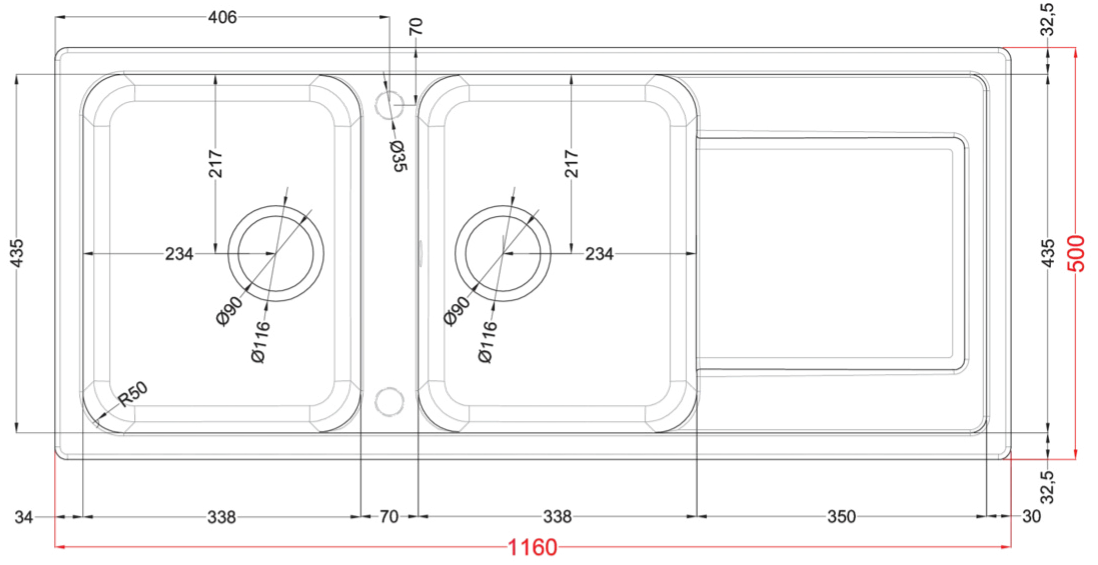
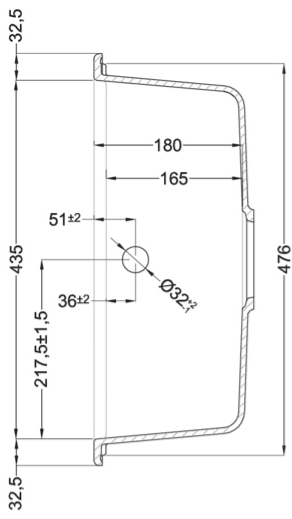
LG250051 G51
8032557067801



LG250059 G59
8032557067818



LG250062 G62
8032557067825



Life 500

general tolerances where not expressly communicated ± 1 mm
 connection dimensions according to UNI EN 695
 eventual exception are reported with *

elleci