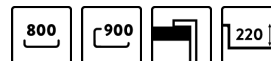
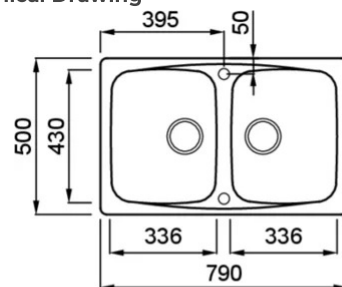


## MASTER 350



### Technical Drawing



0	
<b>Description</b>	2-bowl sink
<b>Model</b>	MASTER 350
<b>Base (mm)</b>	800     900 if first component
0	Inset
<b>Dimensions (mm)</b>	790 x 500
<b>Hole for built-in installation (mm)</b>	770 x 480
<b>Number of Bowls</b>	2
0	
<b>Gross Weight (kg)</b>	18,61
<b>Net Weight (kg)</b>	12,90
<b>Packaging Dimension (kg)</b>	870 x 575 x 300
0 (kg)	0,150
0	
<b>Packaging</b>	Cardboard and polyethylene
0	Space-saving siphon, wastes and hooks.

## GRANITEK

### MATT



**LGM35040** G40  
8032557043607



**LGM35068** G68  
8031873055295

## GRANITEK

### CLASSIC



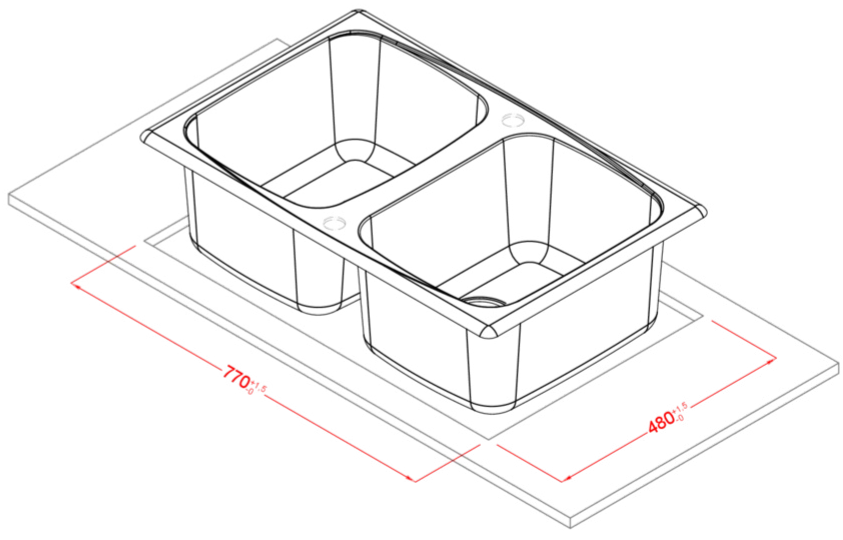
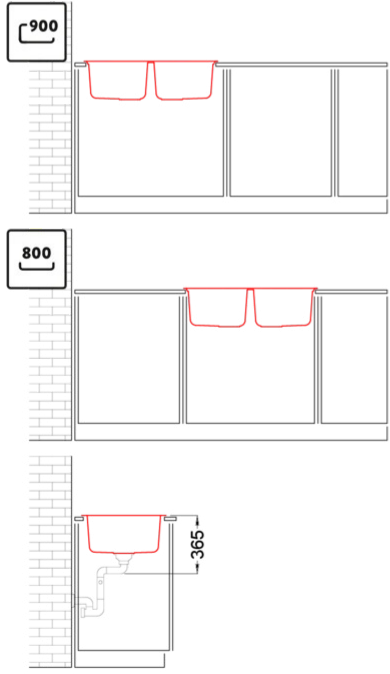
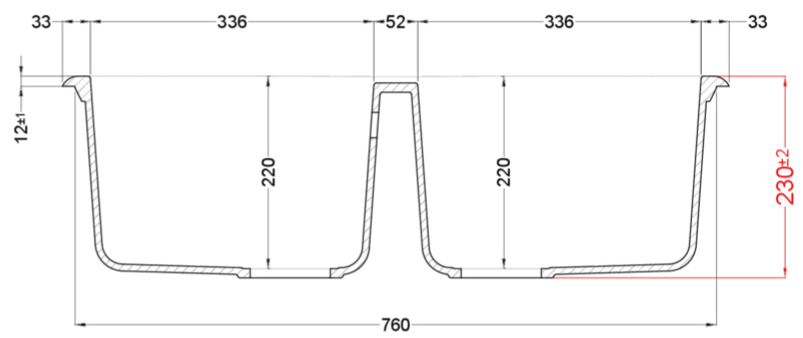
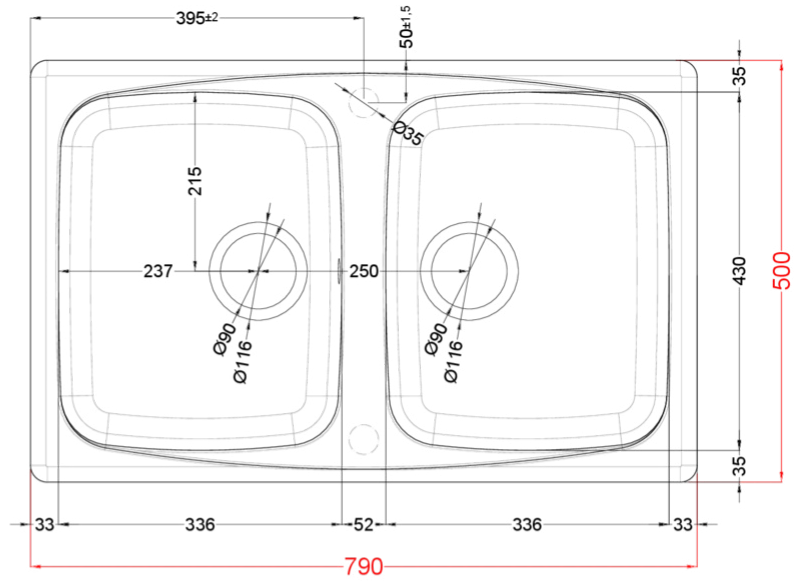
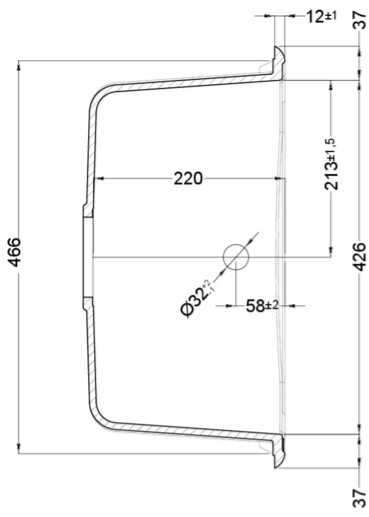
**LGM35051** G51  
8031873055127



**LGM35059** G59  
8031873055202



**LGM35062** G62  
8031873055233



# Master 350

general tolerances where not expressly communicated  $\pm 1$  mm  
 connection dimensions according to UNI EN 695  
 eventual exceptions are reported with \*

