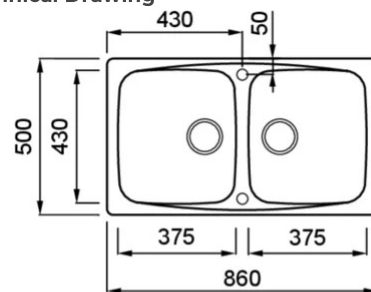


MASTER 450



Technical Drawing



0

Description 2-bowl sink

Model MASTER 450

Base (mm) 900

0 Inset

Dimensions (mm) 860 x 500

Hole for built-in installation (mm) 840 x 480

Number of Bowls 2



0

Gross Weight (kg) 21,38

Net Weight (kg) 15,30

Packaging Dimension (kg) 940 x 575 x 300

0 (kg) 0,162

0

Packaging Cardboard and polyethylene

0 Space-saving siphon, wastes and hooks.

GRANITEK

MATT



LGM45040 G40
8032557043584



LGM45068 G68
8031873055745

GRANITEK

CLASSIC



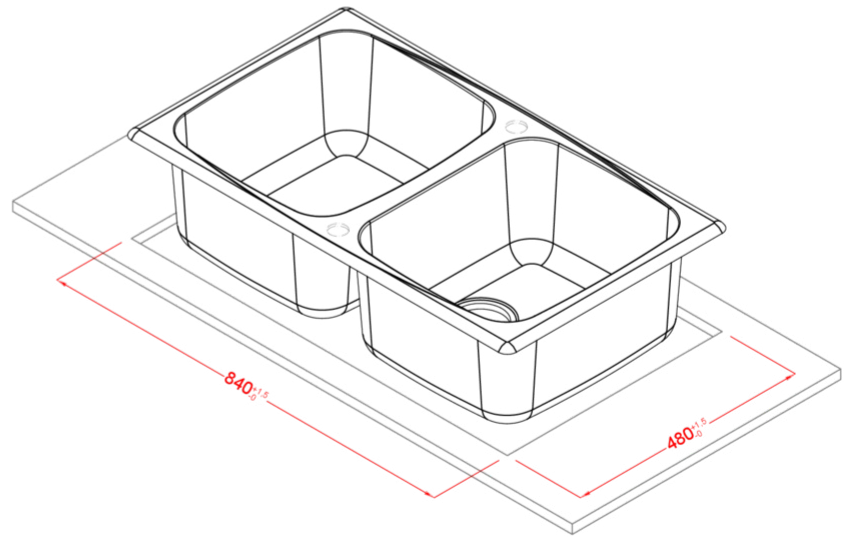
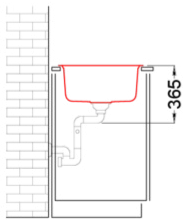
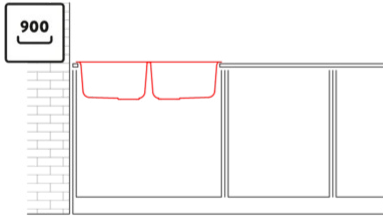
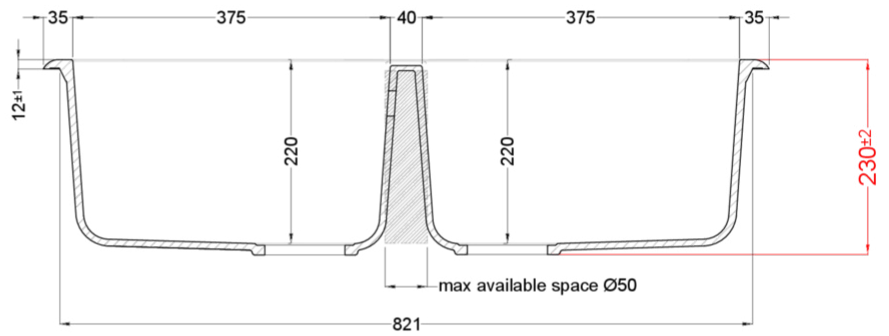
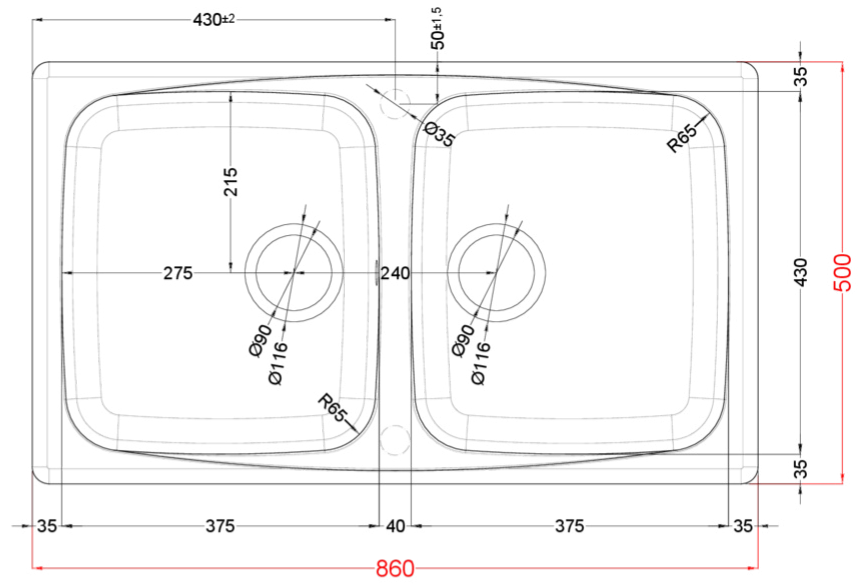
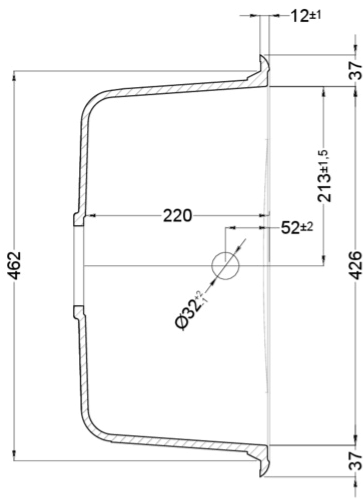
LGM45051 G51
8031873055578



LGM45059 G59
8031873055653



LGM45062 G62
8031873055684



Master 450

general tolerances where not expressly communicated ± 1 mm
 connection dimensions according to UNI EN 695
 eventual exceptions are reported with *

elleci