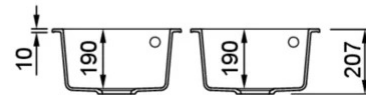
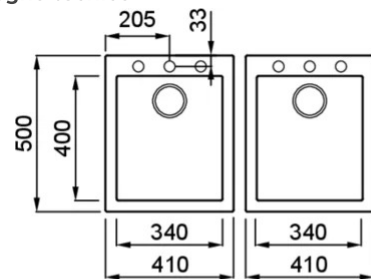


## QUADRA 200



### Disegno tecnico



#### CARATTERISTICHE PRODOTTO

<b>Descrizione</b>	Lavello 2 vasche
<b>Modello</b>	QUADRA 200
<b>Base (mm)</b>	900
<b>Installazioni</b>	Sopratop
<b>Dimensioni (mm)</b>	410 x 500 + 410 x 500
<b>Foro da Incasso (mm)</b>	390 x 480 + 390 x 480 (distanza min 50 mm, max 150 mm)
<b>Numero Vasche</b>	2



#### DATI LOGISTICI

<b>Peso Lordo (kg)</b>	18,95
<b>Peso Netto (kg)</b>	13,40
<b>Dimensioni Imballo (kg)</b>	940 x 575 x 300
<b>Volume Imballo (kg)</b>	0,162

#### CARATTERISTICHE IMBALLO

<b>Imballo</b>	Cartone e polistirolo
<b>Corredi</b>	Sifone salvaspazio, troppopieno tondo, pilette e ganci.

## KERATEK



**LKQ20086** K86  
8031873020781



**LKQ20093** K93  
8031873027513



**LKQ20095** K95  
8031873027537



**LKQ20096** K96  
8031873020774



**LKQ20097** K97  
8031873027551



**LKQ20099** K99  
8031873027575

## GRANITEK

### METAL



**LMQ20073** M73  
8031873951061



**LMQ20079** M79  
8032557952954

# GRANITEK

## MATT



**LGQ20040** G40  
8032861046097



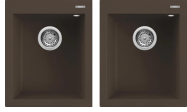
**LGQ20043** G43  
8032861042044



**LGQ20048** G48  
8032557030812



**LGQ20068** G68  
8031873053475



**LGQ20078** G78  
8032557067214

# GRANITEK

## CLASSIC



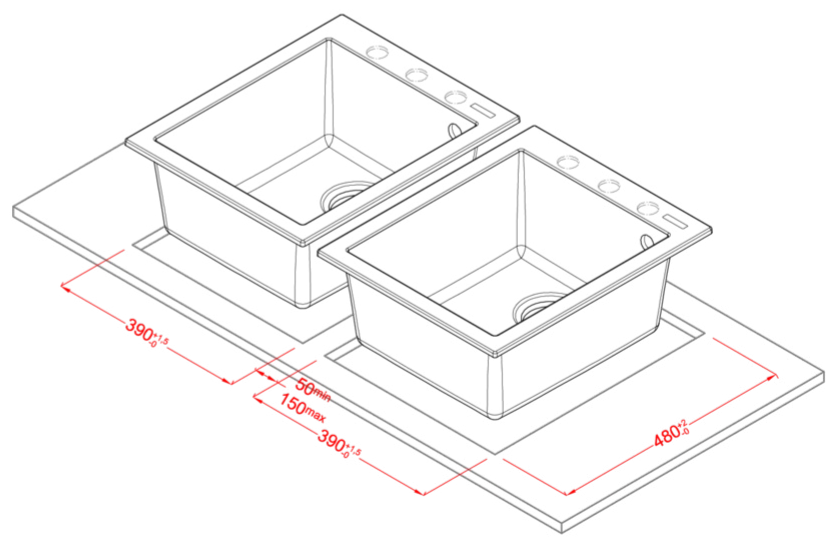
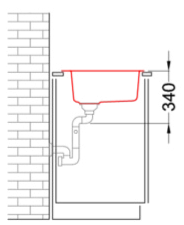
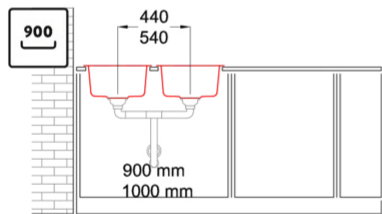
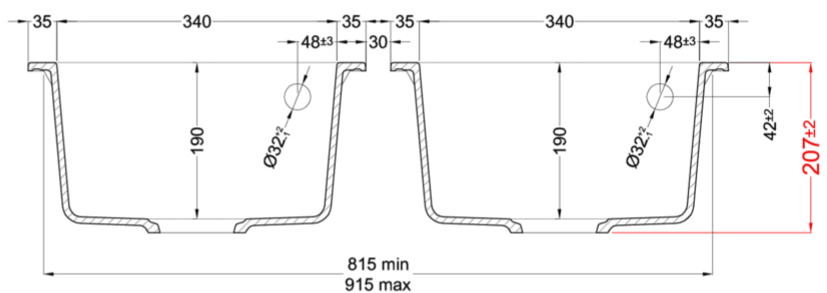
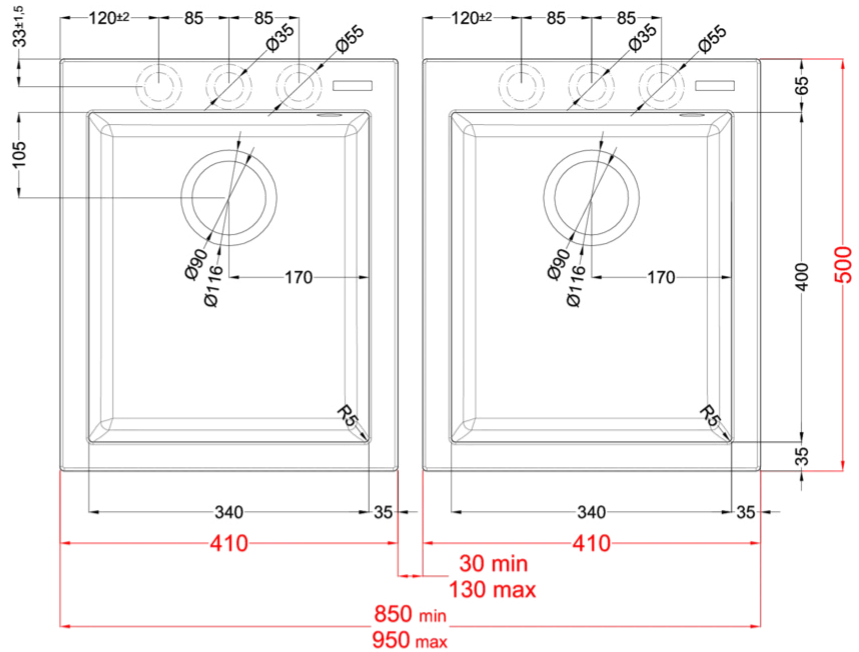
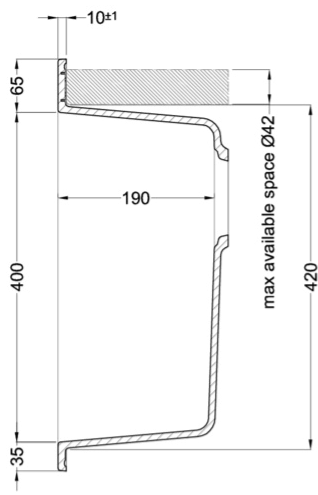
**LGQ20051** G51  
8031873053352



**LGQ20059** G59  
8031873053451



**LGQ20062** G62  
8031873053468



# Quadra 200

general tolerances where not expressly communicated ±1 mm  
connection dimensions according to UNI EN 695  
eventual exception are reported with \*

