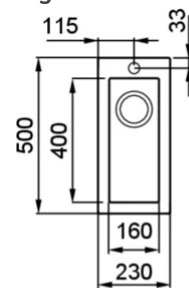


# QUADRA 50



## Technical Drawing



0

<b>Description</b>	1-bowl sink
<b>Model</b>	QUADRA 50
<b>Base (mm)</b>	300
0	Inset
<b>Dimensions (mm)</b>	230 x 500
<b>Hole for built-in installation (mm)</b>	as per drawing
<b>Number of Bowls</b>	1
<b>Bowl Depth (mm)</b>	155



0

<b>Gross Weight (kg)</b>	7,96
<b>Net Weight (kg)</b>	4,30
<b>Packaging Dimension (kg)</b>	550 x 280 x 250
0 (kg)	0,038

0

<b>Packaging</b>	Cardboard and polystyrene
0	Space-saving siphon, wastes and hooks.

# KERATEK



**LKQ05086** K86  
8031873023928



**LKQ05093** K93  
8031873027100



**LKQ05095** K95  
8031873027124



**LKQ05096** K96  
8031873023911



**LKQ05097** K97  
8031873027148



**LKQ05099** K99  
8031873027162

# GRANITEK

METAL



**LMQ05073** M73  
8031873956172



**LMQ05079** M79  
8032557952947

# GRANITEK

MATT



**LGQ05040** G40  
8032861043041



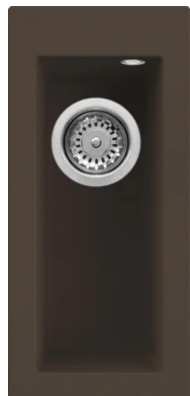
**LGQ05043** G43  
8031873032166



**LGQ05048** G48  
8032557049203



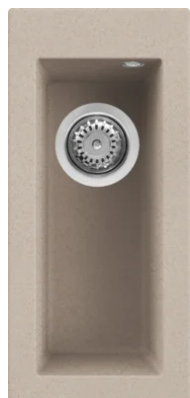
**LGQ05068** G68  
8032861057024



**LGQ05078** G78  
8032557067078

# GRANITEK

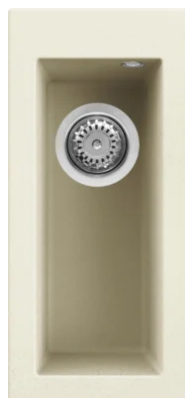
CLASSIC



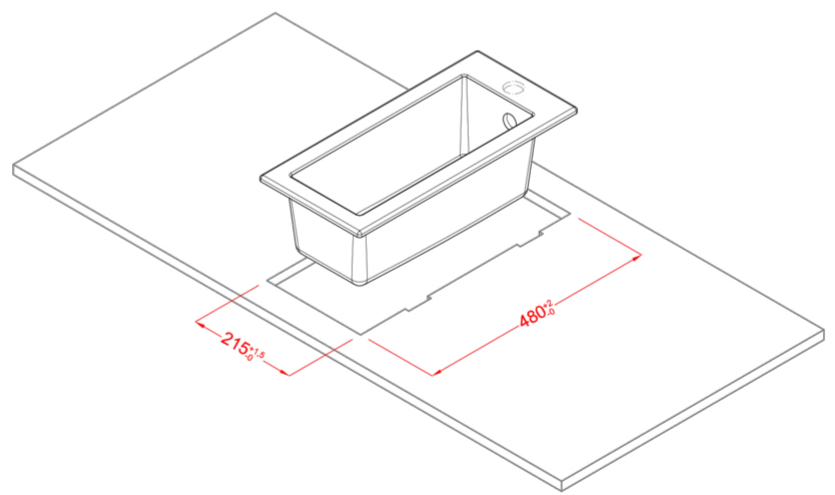
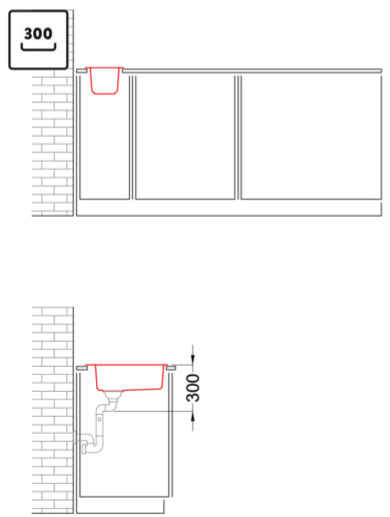
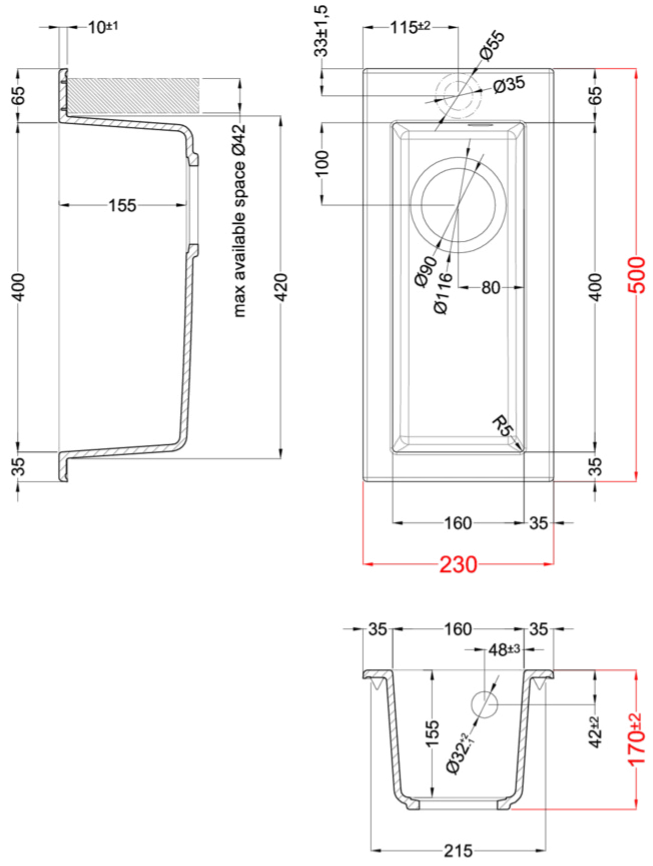
**LGQ05051** G51  
8032861056652



**LGQ05059** G59  
8032861056782



**LGQ05062** G62  
8032861056799



# Quadra 50

general tolerances where not expressly communicated  $\pm 1$  mm  
 connection dimensions according to UNI EN 695  
 eventual exception are reported with \*

