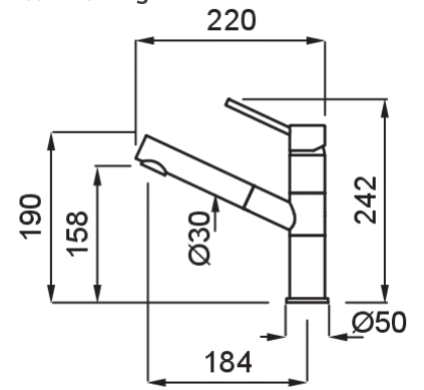


RENO

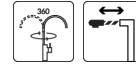


Technical Drawing



0

| | |
|-------------------------|---|
| Description | Single-lever tap with swivel spout and pull-out sprayer |
| Model | RENO |
| Base (mm) | 50 |
| Bowl Depth (ømm) | 35 |
| Bowl Depth | 360° |
| Flexi-hose | Stainless Steel 3/8" |
| Bowl Depth (ømm) | 35 |



0

| | |
|---------------------------------|---------------|
| Gross Weight (kg) | 2,14 |
| Net Weight (kg) | 1,84 |
| Packaging Dimension (kg) | 48,5 x 25 x 9 |
| 0 (kg) | 0,011 |

0

| | |
|------------------|---------------|
| Packaging | Cardboard box |
|------------------|---------------|

KERATEK



MKKREN86 K86
8032557560302



MKKREN96 K96
8032557560319

GRANITEK

METAL



MMKREN73 M73
8031873550028



MMKREN79 M79
8031873550622

GRANITEK

MATT

MGKREN78 G78
8031873104337



MGKREN40 G40
8031873101879



MGKREN43 G43
8031873101077



MGKREN48 G48
8031873102111



MGKREN68 G68
8031873102203

GRANITEK

CLASSIC



MGKREN51 G51
8031873100025



MGKREN59 G59
8031873100650



MGKREN62 G62
8031873100674

CROMATO



MIKRENCR CR
8031873650032

