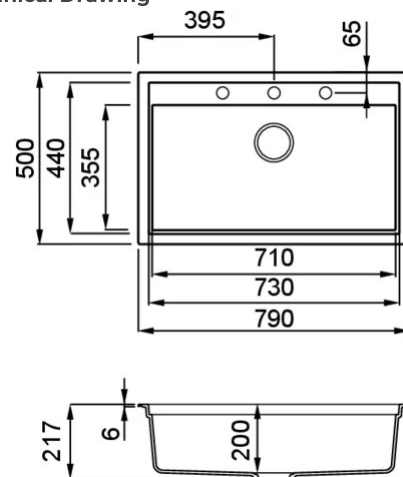


# SINTESI 130



## Technical Drawing



0

**Description** 1-bowl sink \*Available with coloured waste: Black Matt, Light Gold, Stainless Steel

**Model** SINTESI 130

**Base (mm)** 800

**0** Inset  
Flushmount

**Dimensions (mm)** 790 x 500

**Hole for built-in installation (mm)** 770 x 480 mm (Inset), as per drawing  
(Flushmount)

**Bowl Depth (mm)** 217

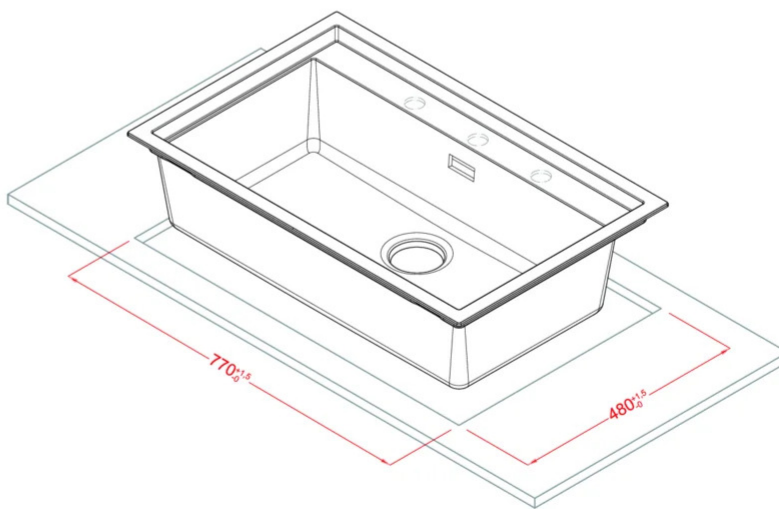
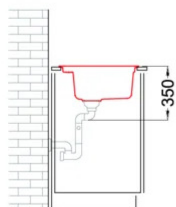
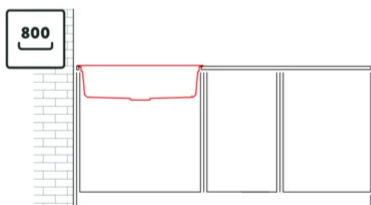
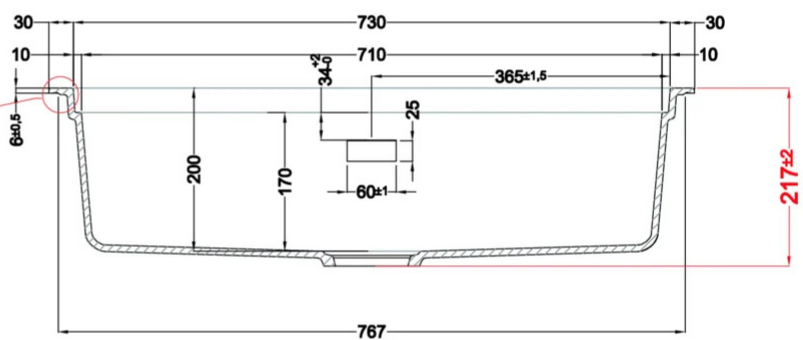
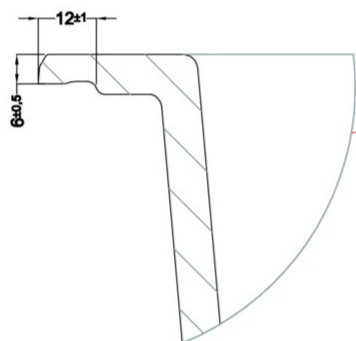
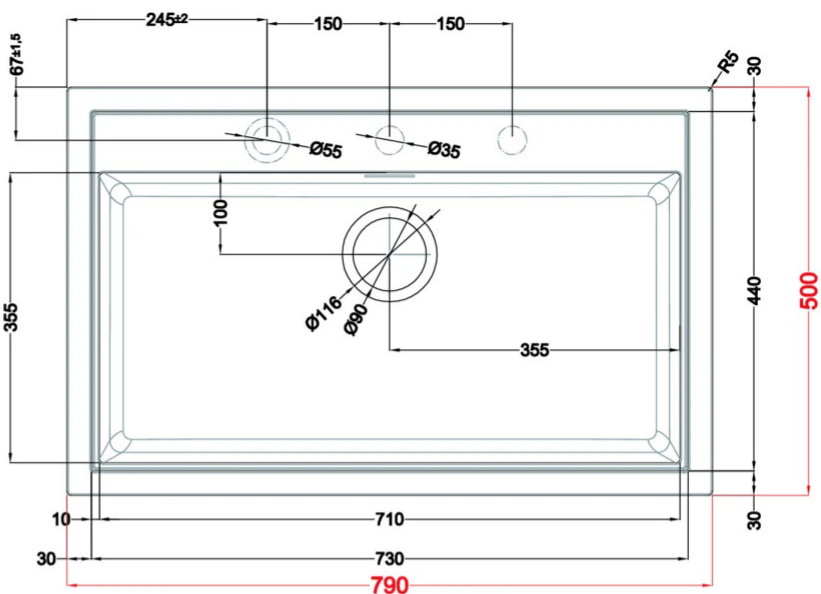
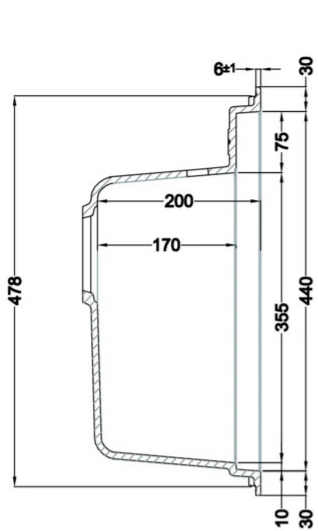
0

**Packaging Dimension (kg)** 870 x 575 x 300

0

**Packaging** Cardboard and polyethylene





# SINTESI 130

general tolerances where not expressly communicated  $\pm 0.2\%$   
rev.1 02.12.22



