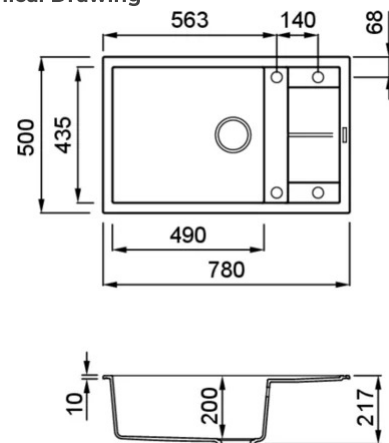


## UNICO 310



### Technical Drawing



0

<b>Description</b>	1-bowl sink with drainer
<b>Model</b>	UNICO 310
<b>Base (mm)</b>	600     800 if first component
<b>0</b>	Inset
<b>Dimensions (mm)</b>	780 x 500
<b>Hole for built-in installation (mm)</b>	760 x 480
<b>Number of Bowls</b>	1
<b>Bowl Depth (mm)</b>	200



0

<b>Gross Weight (kg)</b>	17,70
<b>Net Weight (kg)</b>	12,00
<b>Packaging Dimension (kg)</b>	870 x 575 x 300
<b>0 (kg)</b>	0,150

0

<b>Packaging</b>	Cardboard and polyethylene
<b>0</b>	Space-saving siphon, wastes and hooks.

## KERATEK



**LKU31097** K97  
8032557023975



**LKU31096** K96  
8031873028657



**LKU31093** K93  
8032557027263



**LKU31086** K86  
8031873028596

## GRANITEK

METAL



**LMU31073** M73  
8031873110833



**LMU31079** M79  
8031873110840

# GRANITEK

## MATT



**LGU31040** G40  
8032557038184



**LGU31043** G43  
8032557038191



**LGU31048** G48  
8032557038207



**LGU31068** G68  
8032557038245



**LGU31078** G78  
8032557067290

# GRANITEK

## CLASSIC



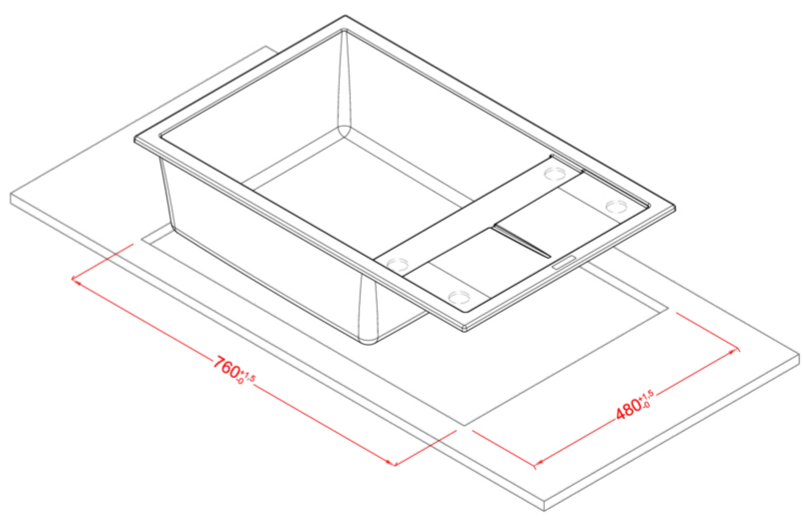
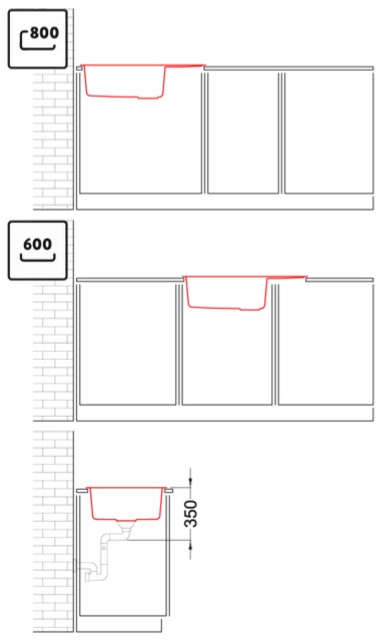
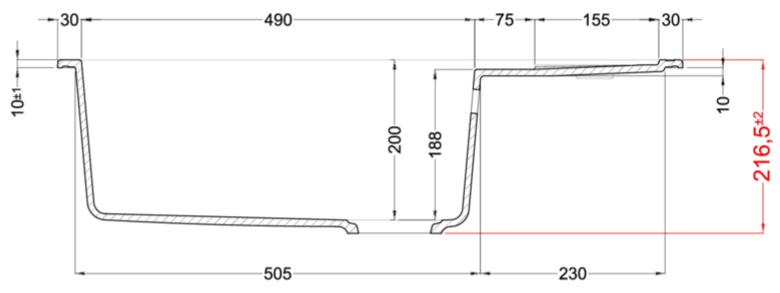
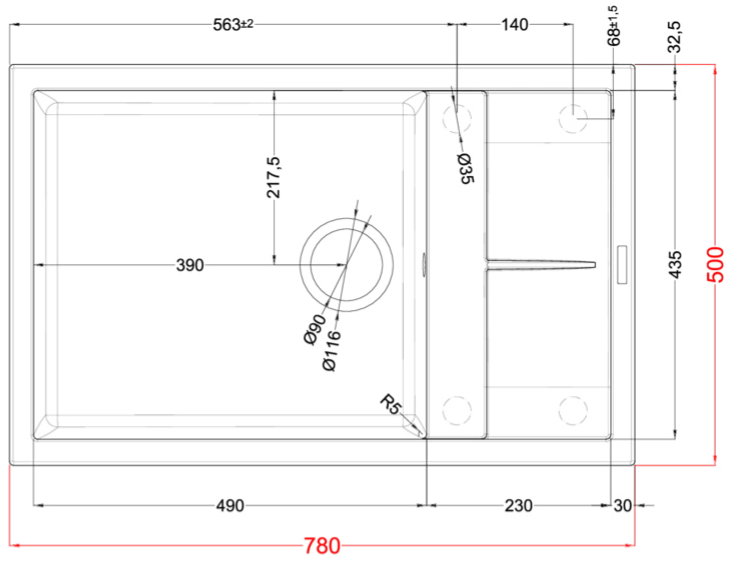
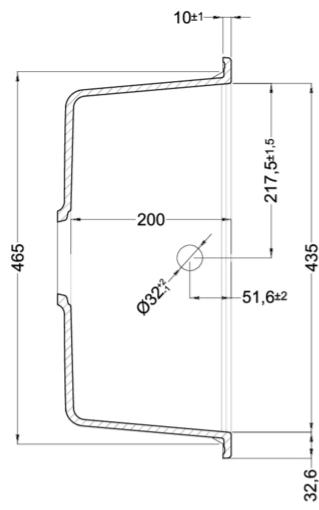
**LGU31051** G51  
8032557038214



**LGU31059** G59  
8032557038221



**LGU31062** G62  
8032557038238



# Unico 310

general tolerances where not expressly communicated  $\pm 1$  mm  
 connection dimensions according to UNI EN 695  
 eventual exception are reported with \*

