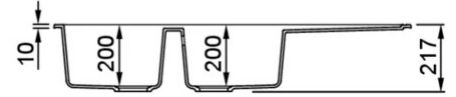
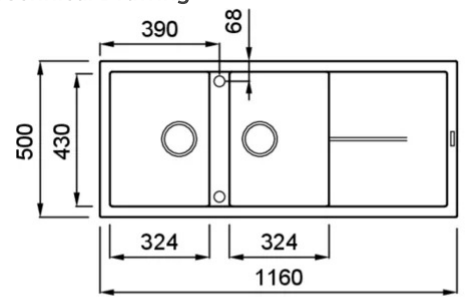


UNICO 500



Technical Drawing



0	
Description	2-bowl sink with drainer
Model	UNICO 500
Base (mm)	800
0	Inset
Dimensions (mm)	1160 x 500
Hole for built-in installation (mm)	1140 x 480
Number of Bowls	2
0	
Gross Weight (kg)	24,44
Net Weight (kg)	17,90
Packaging Dimension (kg)	1250 x 575 x 300
0 (kg)	0,216
0	
Packaging	Cardboard and polyethylene
0	Space-saving siphon, wastes and hooks.

KERATEK



LKU50097 K97
8032557023944



LKU50096 K96
8031873028688



LKU50093 K93
8032557027294



LKU50086 K86
8031873028626

GRANITEK

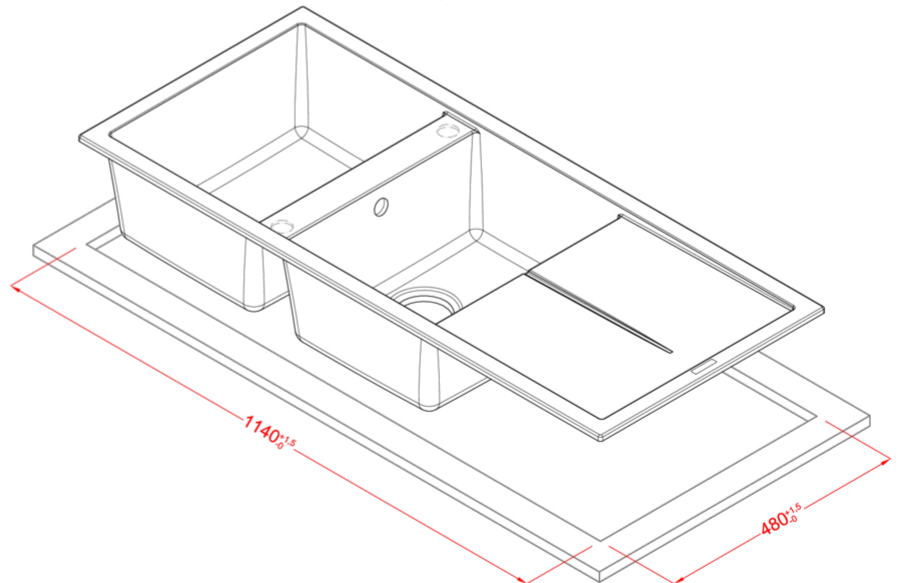
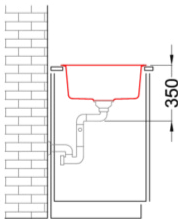
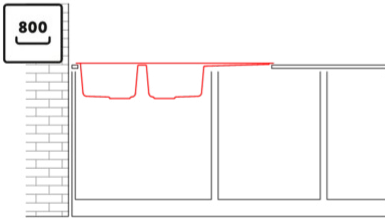
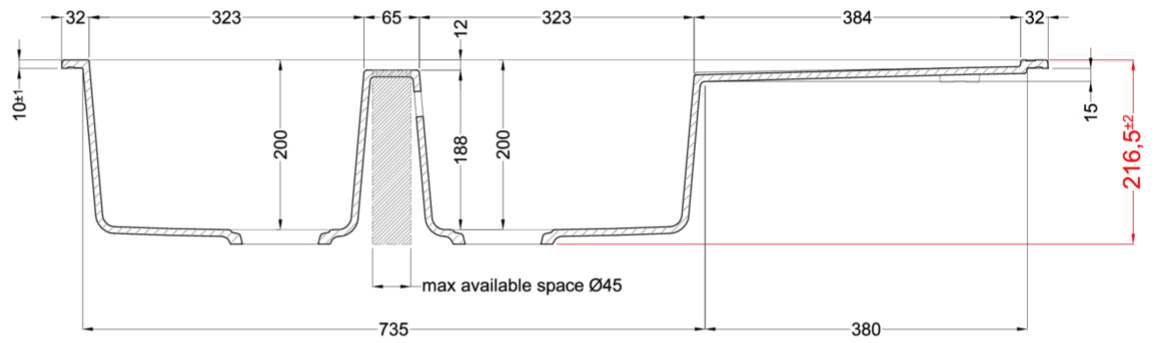
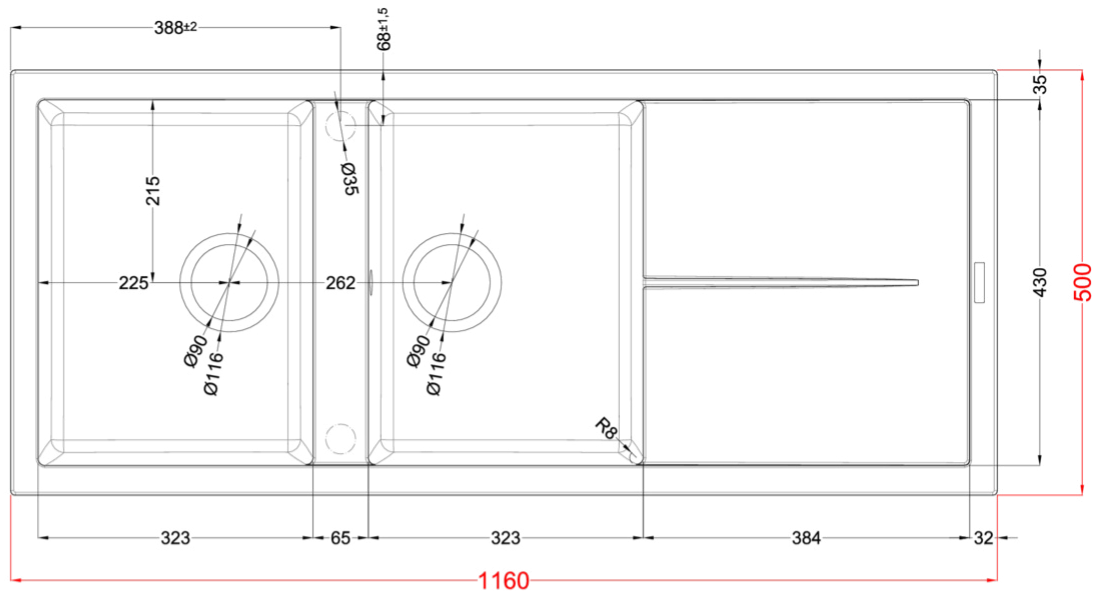
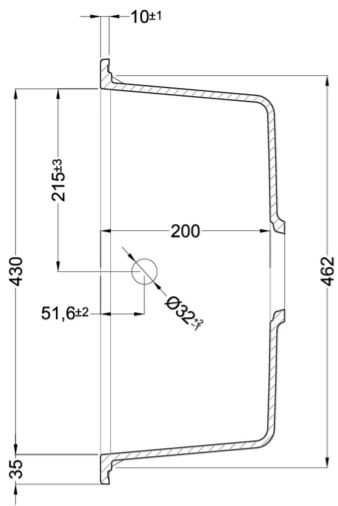
METAL



LMU50073 M73
8032861959342



LMU50079 M79
8031873110383



Unico 500

general tolerances where not expressly communicated ± 1 mm
 connection dimensions according to UNI EN 695
 eventual exception are reported with *

elleci