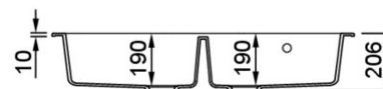
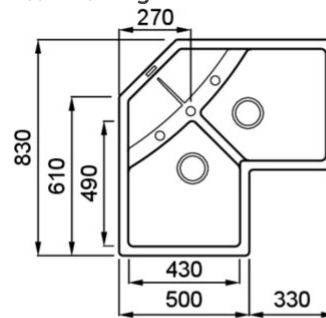


UNICO CORNER



Technical Drawing



0

Description 2-bowls corner sink with drainer

Model UNICO CORNER

Base (mm) Corner

0 Inset

Dimensions (mm) 830 x 830

Hole for built-in installation (mm) as per drawing

Number of Bowls 2



0

Packaging Dimension (kg) DA INSERIRE

0 (kg) 0,248

0

0 Space-saving siphon, wastes and hooks.

GRANITEK

METAL



LMUCOR73 M73
8031873117696



LMUCOR79 M79
8031873117702

GRANITEK

MATT



LGUCOR40 G40
8031873069919



LGUCOR43 G43
8031873069926



LGUCOR48 G48
8031873069933



LGUCOR68 G68
8031873069971



LGUCOR78 G78
8032557069027

GRANITEK

CLASSIC



LGUCOR51 G51
8031873069940



LGUCOR59 G59
8031873069957



LGUCOR62 G62
8031873069964

