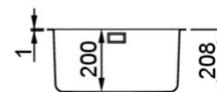
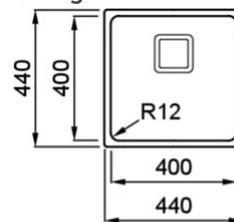


W-SQUARE 400



Technical Drawing



0

Description	1-bowl sink
Model	W-SQUARE 400
Base (mm)	450 (Flat), 450 (Flushmount), 600 (Undermount)
0	Flat, Flushmount, Undermount Flushmount Undermount
Dimensions (mm)	440 x 440
Hole for built-in installation (mm)	430 x 430 (Flat), 430 x 430 (Flushmount), 400 x 400 R25 (Undermount)
Number of Bowls	1
Bowl Depth (mm)	200



0

Gross Weight (kg)	5,40
Net Weight (kg)	2,76
Packaging Dimension (kg)	510 x 505 x 270

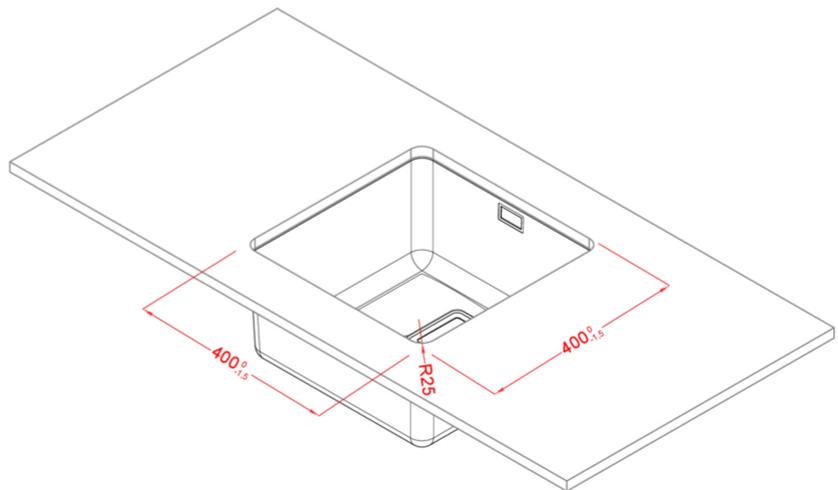
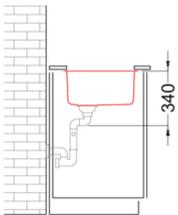
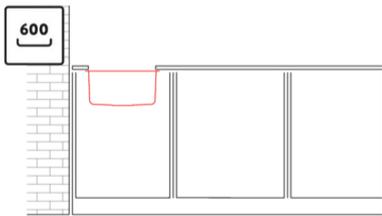
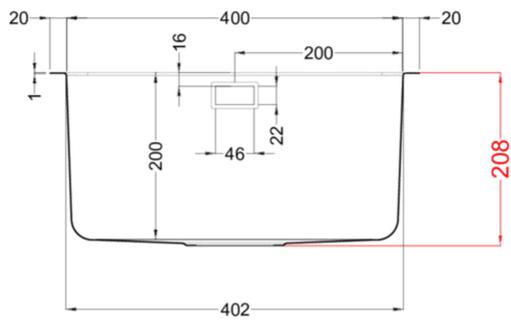
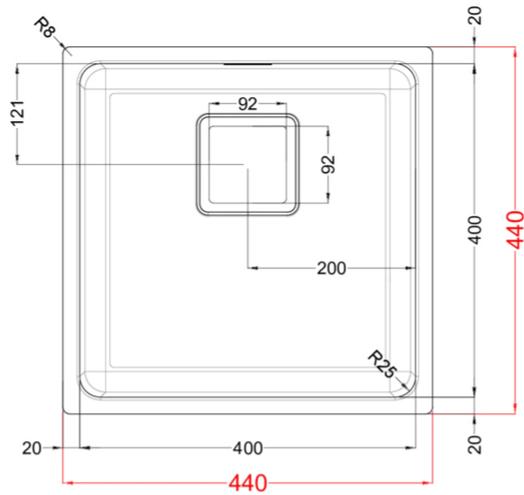
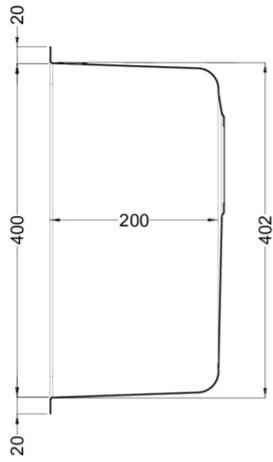
0

Packaging	Cardboard
0	--

INOX



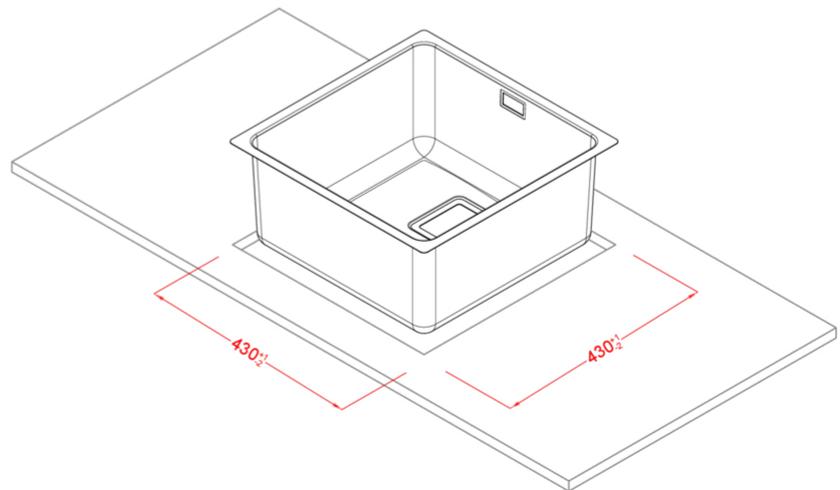
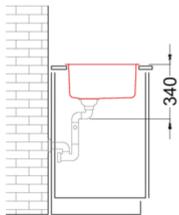
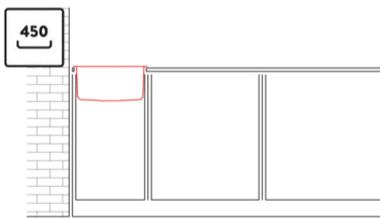
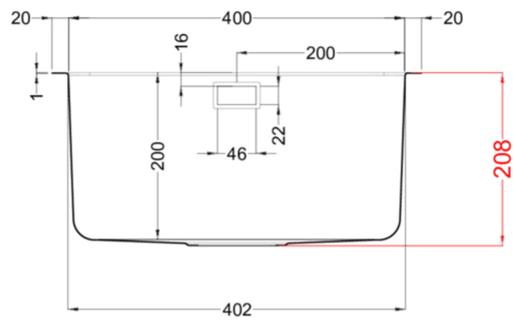
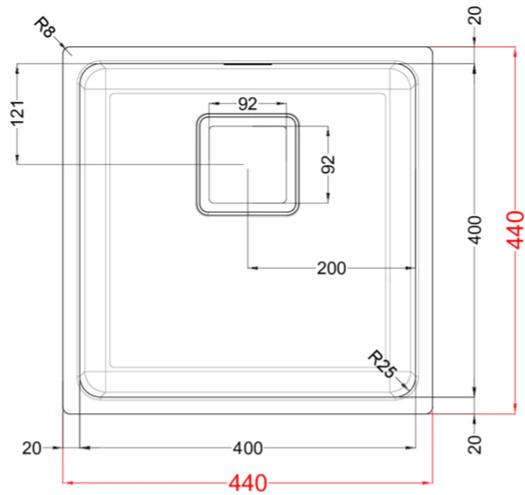
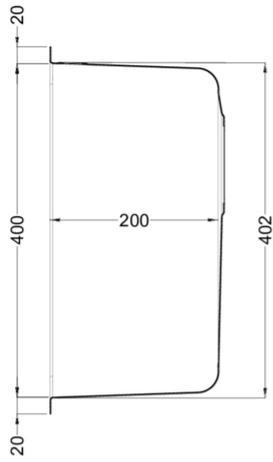
LIW400SACMU SATIN FINISH
8031873602567



W-SQUARE 400 UNDERMOUNT

general tolerances where not expressly communicated $\pm 0.2\%$
connection dimensions according to UNI EN 695

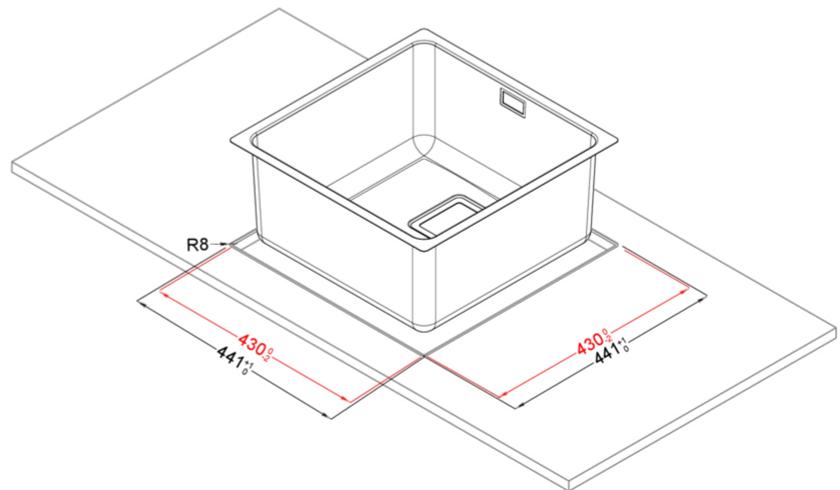
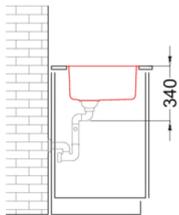
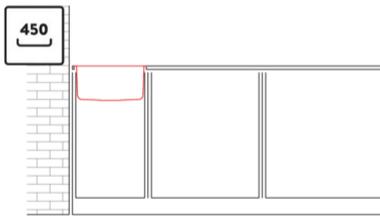
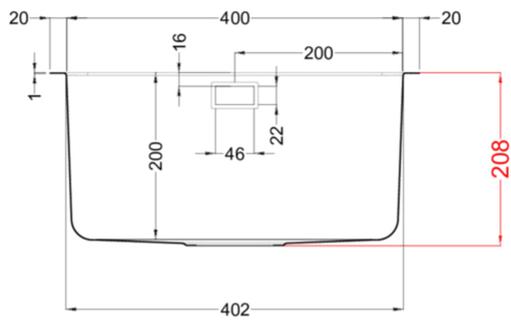
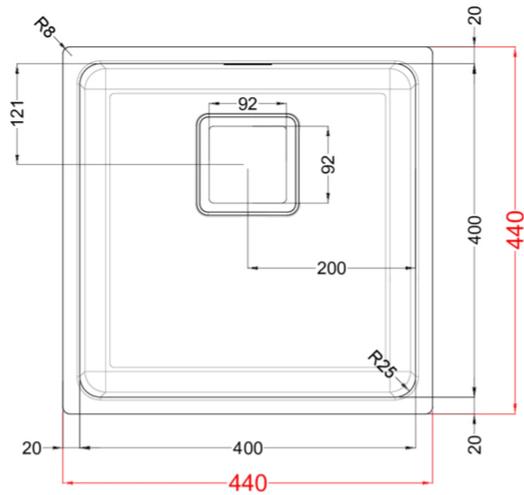
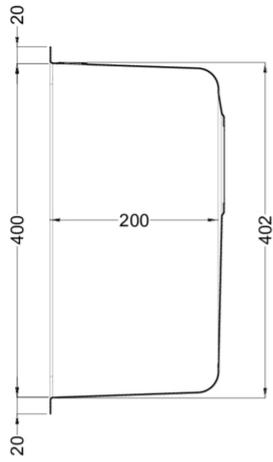




W-SQUARE 400 SEMI-FLUSH

general tolerances where not expressly communicated $\pm 0.2\%$
connection dimensions according to UNI EN 695





W-SQUARE 400 FLUSHMOUNT

general tolerances where not expressly communicated $\pm 0.2\%$
connection dimensions according to UNI EN 695

