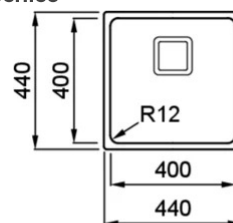


## W-SQUARE 400



### Disegno tecnico



### CARATTERISTICHE PRODOTTO

<b>Descrizione</b>	Lavello 1 vasca in acciaio inox satinato AISI 304 spessore 10/10
<b>Modello</b>	W-SQUARE 400
<b>Base (mm)</b>	600
<b>Installazioni</b>	Flat, Filotop, Sottotop
<b>Dimensioni (mm)</b>	440 x 440
<b>Foro da Incasso (mm)</b>	430 x 430 R10 (Flat), 401 x 401 R13 (Sottotop), 430 x 430 (Filotop)
<b>Numero Vasche</b>	1
<b>Profondità Vasca (mm)</b>	200



### DATI LOGISTICI

<b>Peso Lordo (kg)</b>	5,40
<b>Peso Netto (kg)</b>	2,76
<b>Dimensioni Imballo (kg)</b>	510 x 505 x 270

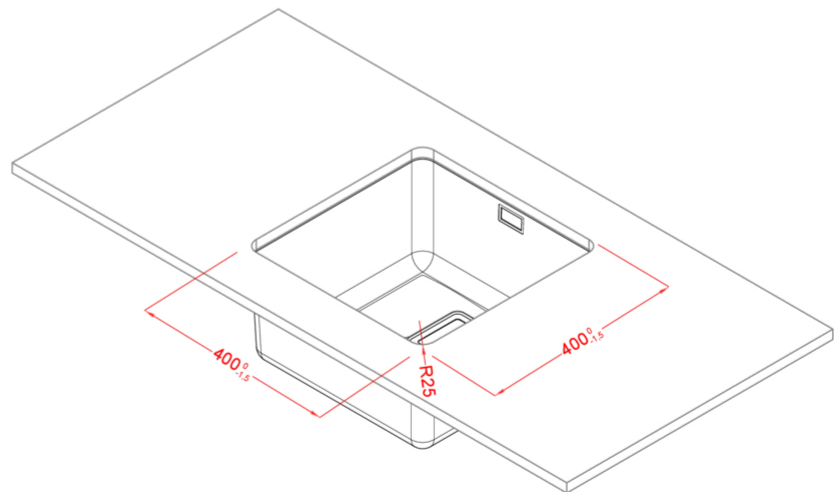
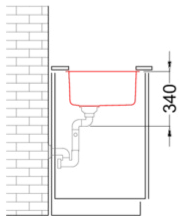
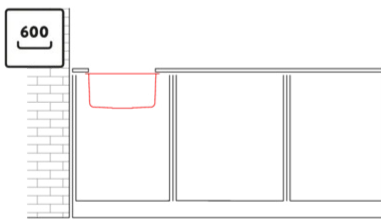
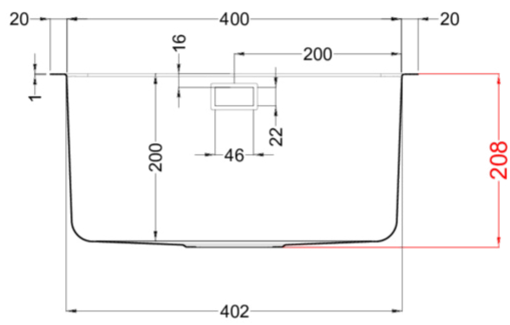
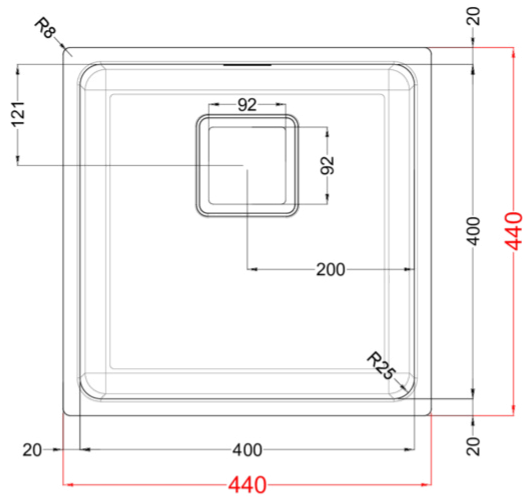
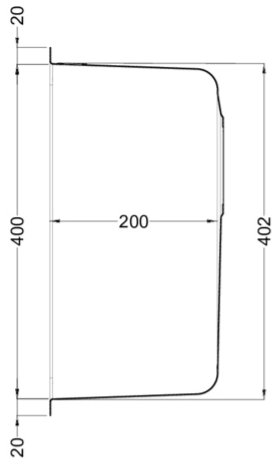
### CARATTERISTICHE IMBALLO

<b>Imballo</b>	Cartone
<b>Corredi</b>	--

## INOX



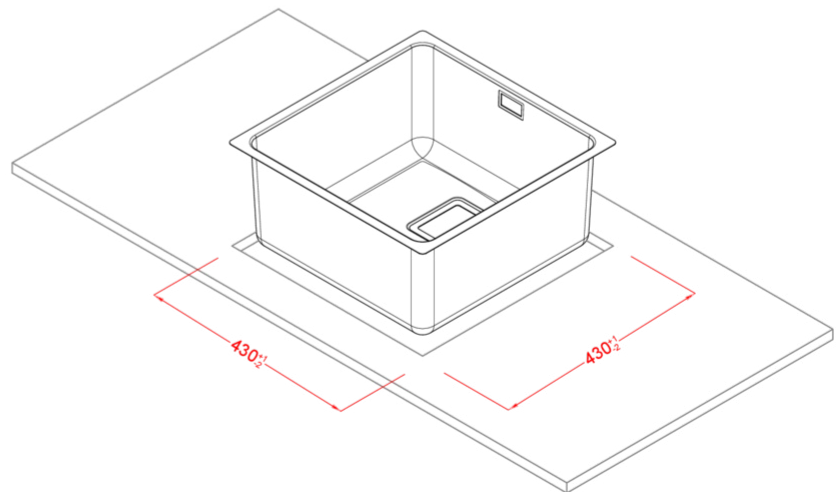
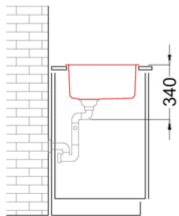
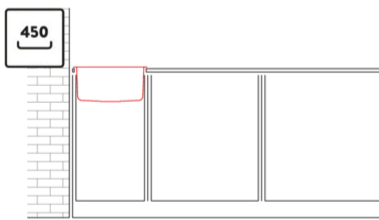
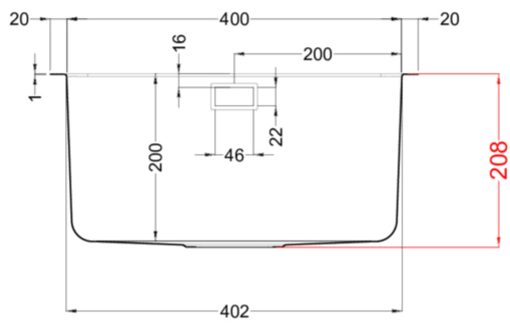
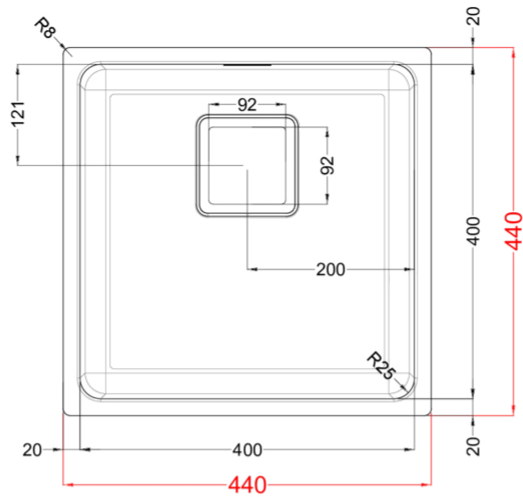
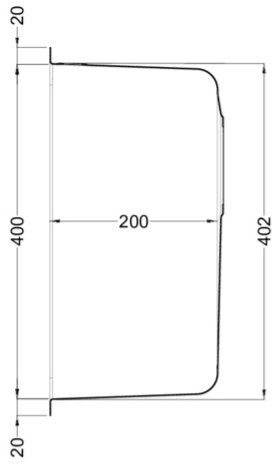
LIW400SACMU ST  
8031873602567



## W-SQUARE 400 UNDERMOUNT

general tolerances where not expressly communicated  $\pm 0.2\%$   
connection dimensions according to UNI EN 695

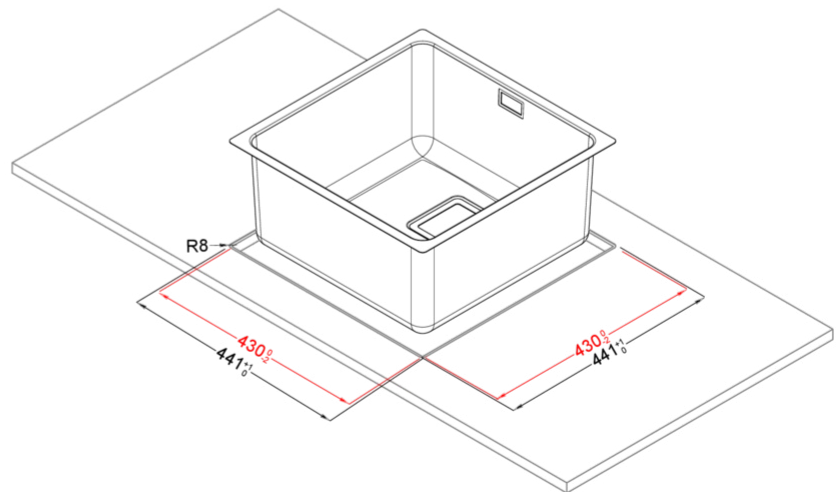
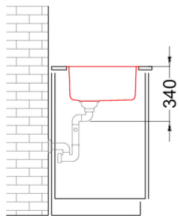
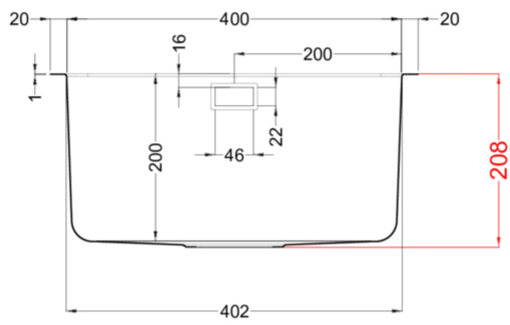
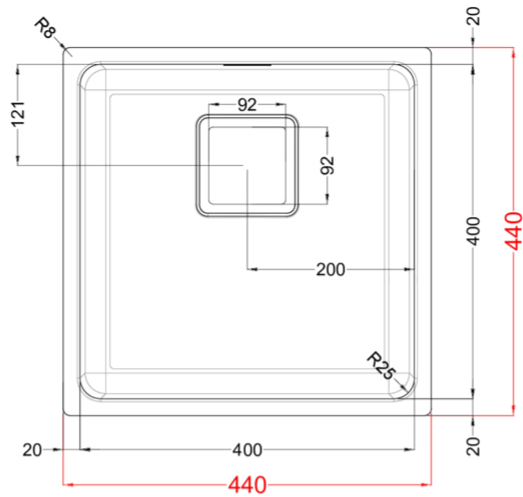
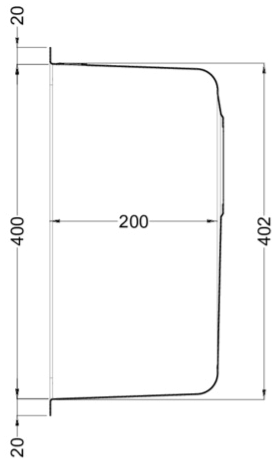




## W-SQUARE 400 SEMI-FLUSH

general tolerances where not expressly communicated  $\pm 0.2\%$   
connection dimensions according to UNI EN 695





## W-SQUARE 400 FLUSHMOUNT

general tolerances where not expressly communicated  $\pm 0.2\%$   
connection dimensions according to UNI EN 695

