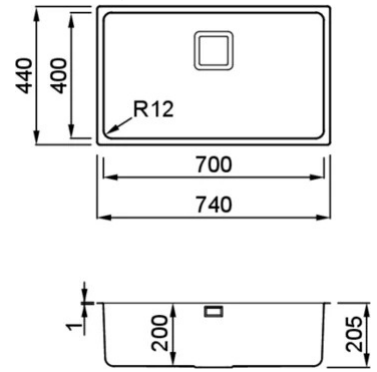


W-SQUARE 700



Technical Drawing



0

Description	1-bowl sink
Model	W-SQUARE 700
Base (mm)	800 (Inset), 800 (Flushmount), 800 (Undermount)
0	Flat, Flushmount, Undermount Flushmount Undermount
Dimensions (mm)	740 x 440
Hole for built-in installation (mm)	730 x 430 (Flat), 730 x 430 (Flushmount), 700 x 400 R25 (Undermount)
Number of Bowls	1
Bowl Depth (mm)	200



0

Gross Weight (kg)	8,30
Net Weight (kg)	4,26
Packaging Dimension (kg)	870 x 515 x 285

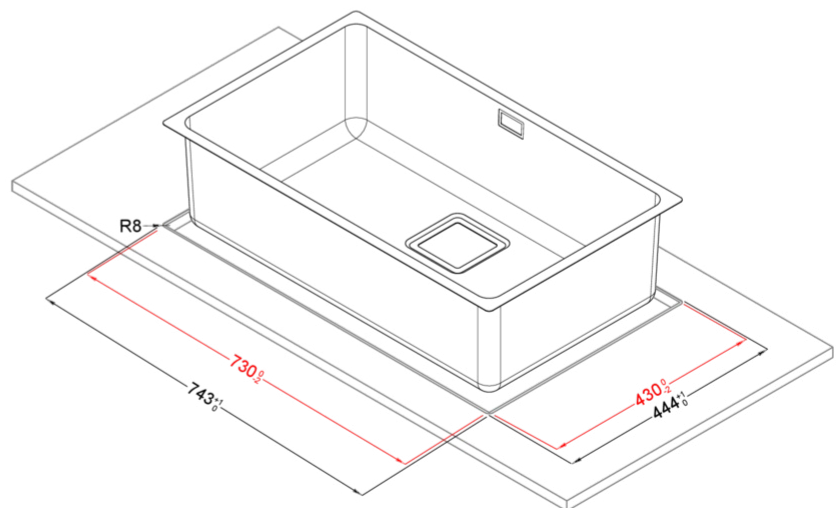
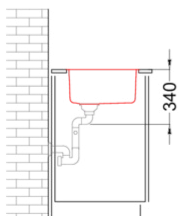
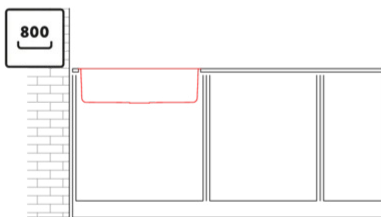
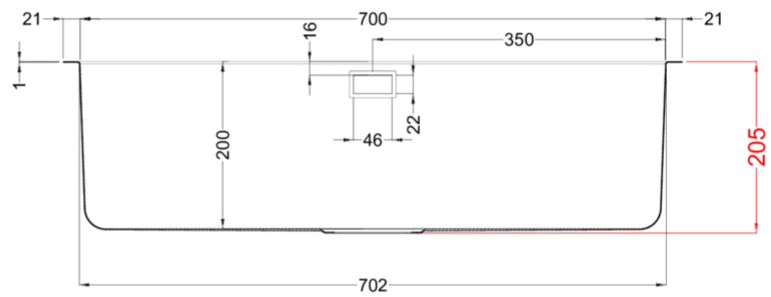
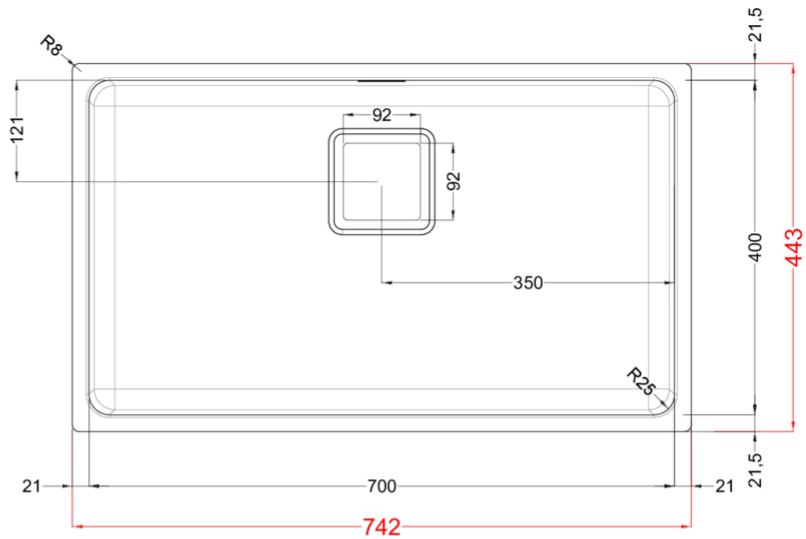
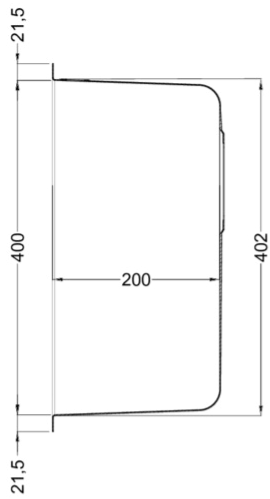
0

Packaging	Cardboard
0	--

INOX



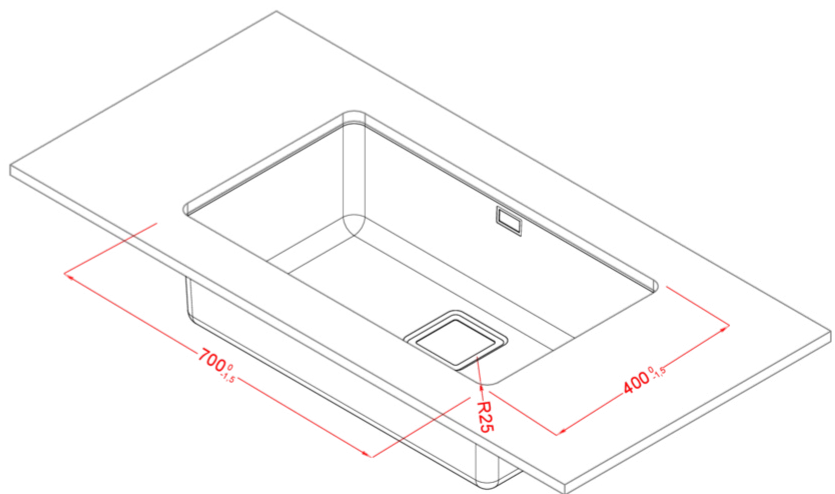
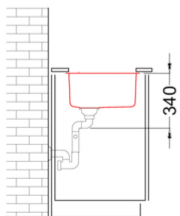
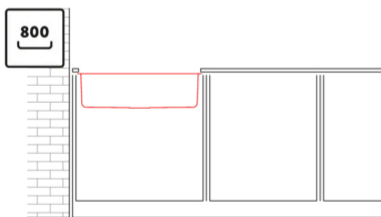
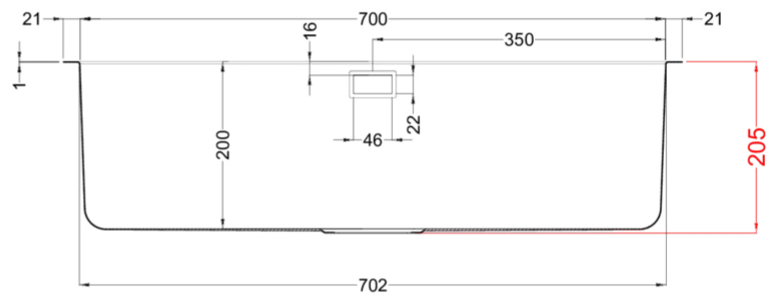
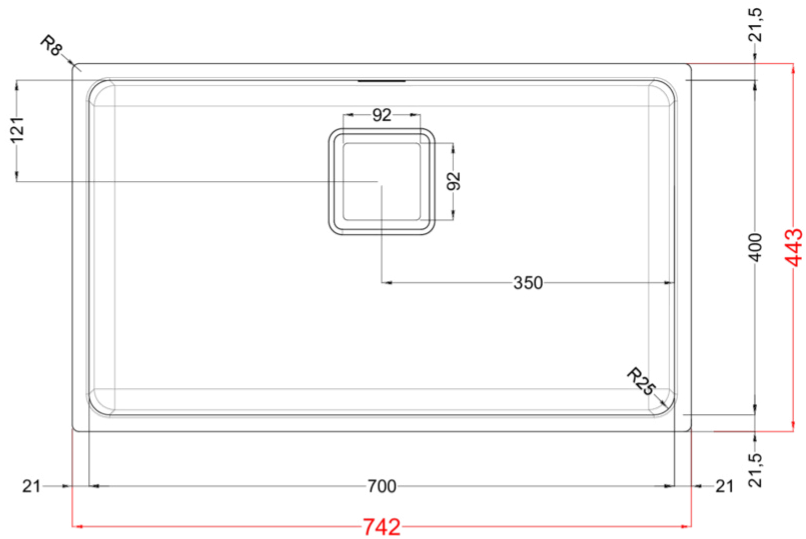
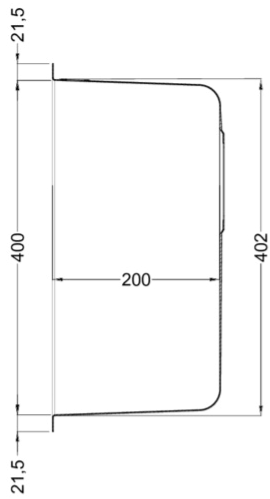
LIW700SACMU SATIN FINISH
8031873602628



W-SQUARE 700 FLUSHMOUNT

general tolerances where not expressly communicated $\pm 0.2\%$
 connection dimensions according to UNI EN 695

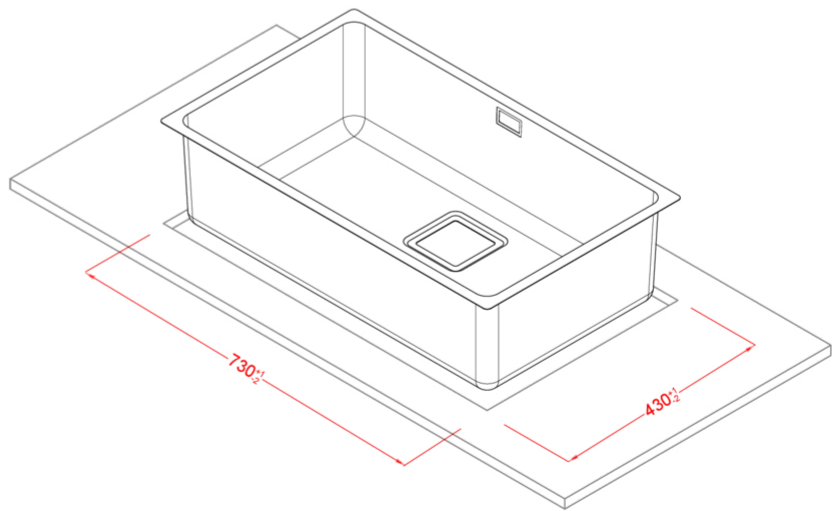
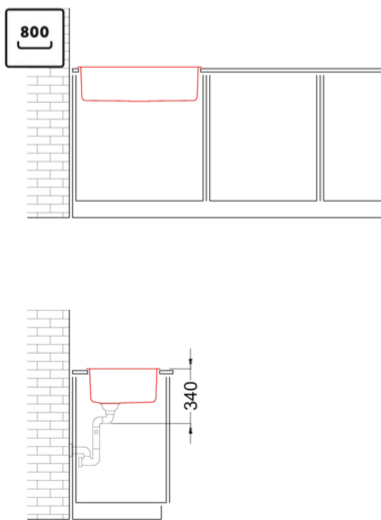
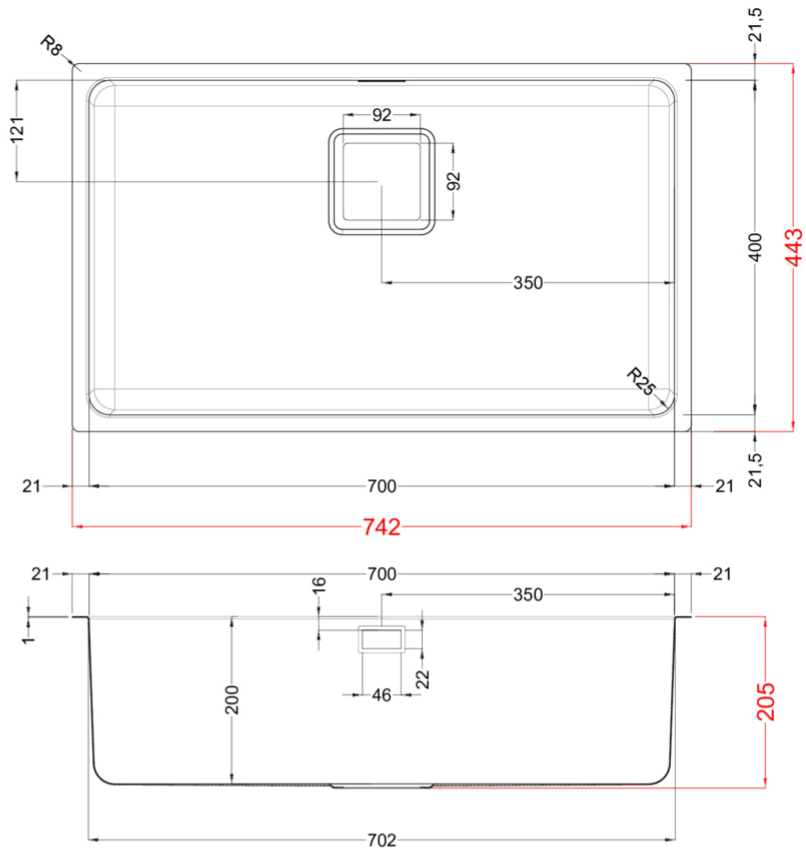
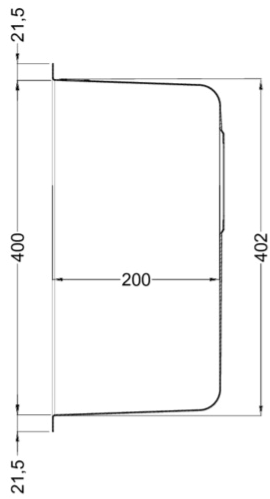




W-SQUARE 700 UNDERMOUNT

general tolerances where not expressly communicated $\pm 0.2\%$
connection dimensions according to UNI EN 695





W-SQUARE 700 SEMI-FLUSH

general tolerances where not expressly communicated $\pm 0.2\%$
 connection dimensions according to UNI EN 695

