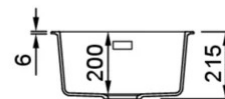
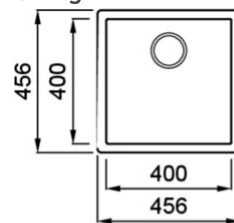


ZEN 102



Technical Drawing



0

Description	1-bowl sink
Model	ZEN 102
Base (mm)	450 (Inset), 500 (Undermount)
0	Inset, Undermount Undermount
Dimensions (mm)	456 x 456
Hole for built-in installation (mm)	445 x 445 R5 (Inset), 400 x 400 R10 (Undermount)
Number of Bowls	1
Bowl Depth (mm)	200



0

Gross Weight (kg)	11,51
Net Weight (kg)	6,42
Packaging Dimension (kg)	575 x 575 x 300
0 (kg)	0,099

0

Packaging	Cardboard and polyethylene
0	Space-saving siphon, integrated Flow Pro, rectangular overflow, hooks and undermount assembly kit.

KERATEK



LKZ10286 K86
8031873027780



LKZ10293 K93
8031873027797



LKZ10295 K95
8031873027803



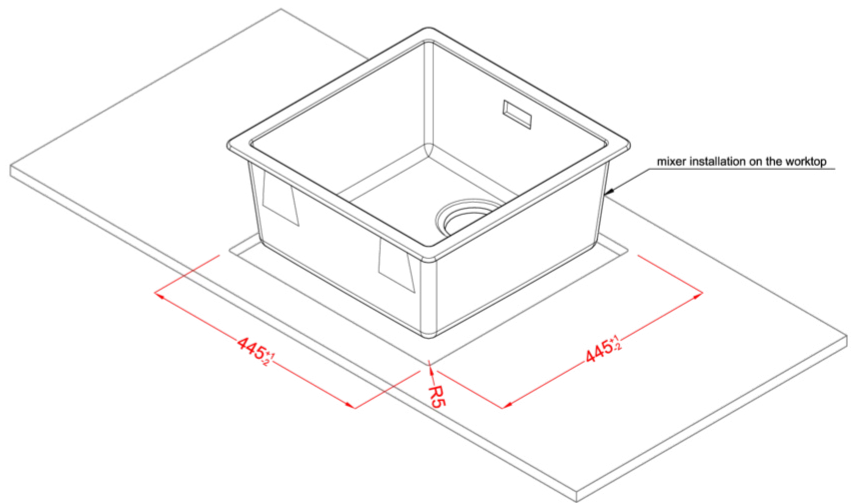
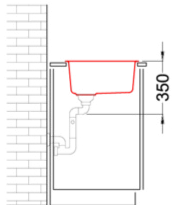
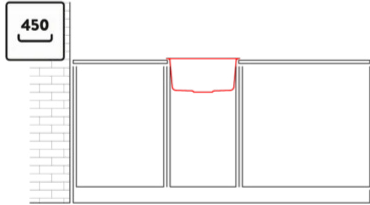
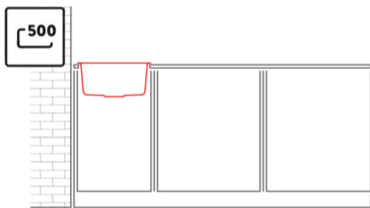
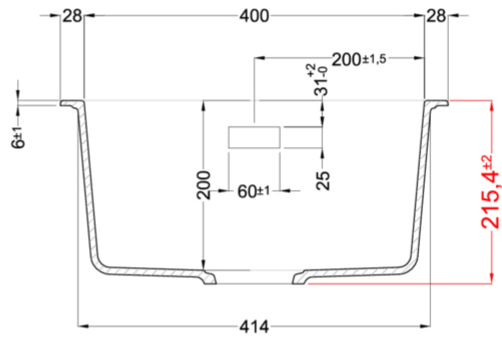
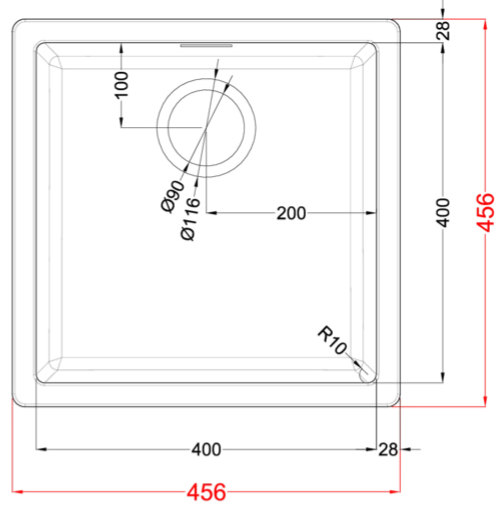
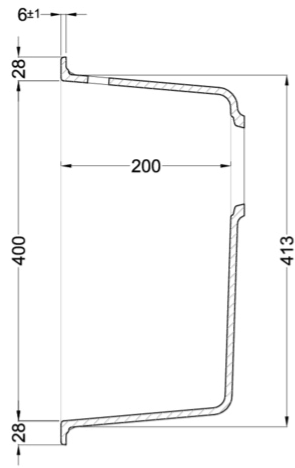
LKZ10296 K96
8031873027810



LKZ10297 K97
8031873027827



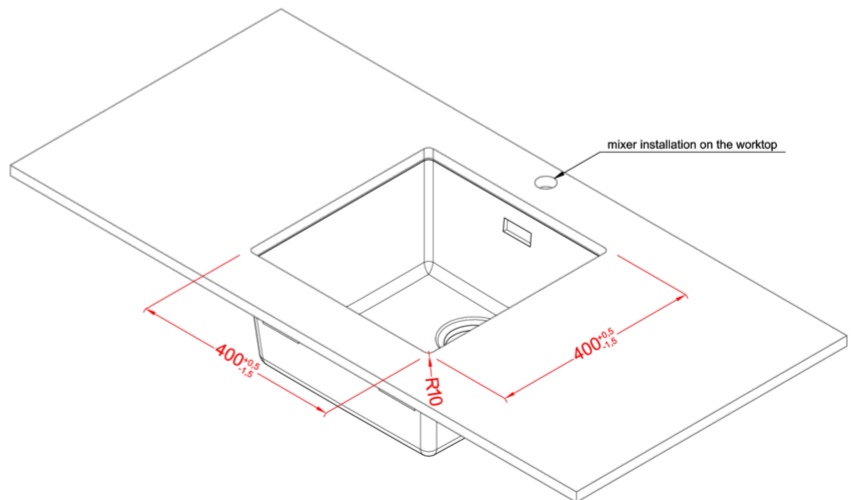
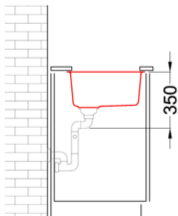
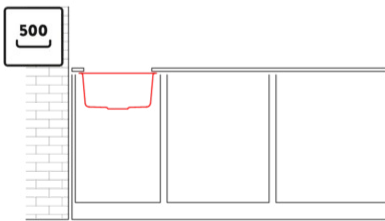
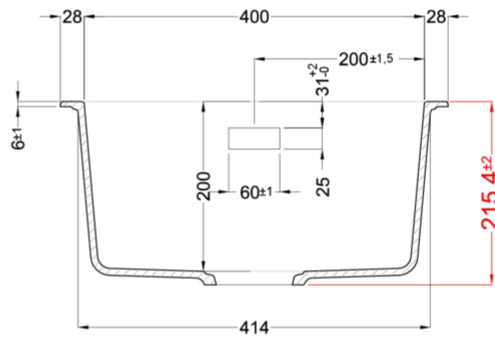
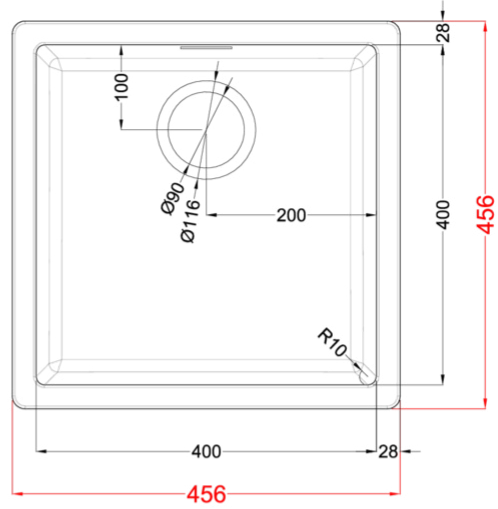
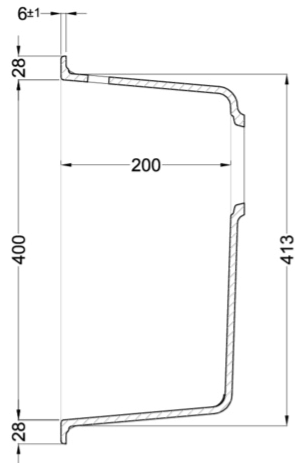
LKZ10299 K99
8031873027834



Zen 102

general tolerances where not expressly communicated ± 1 mm
 connection dimensions according to UNI EN 695
 eventual exceptions are reported with *





Zen 102 Undermount

general tolerances where not expressly communicated ± 1 mm
 connection dimensions according to UNI EN 695
 eventual exceptions are reported with *

elleci

