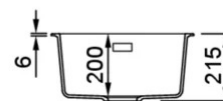
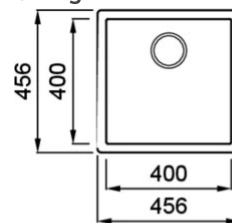


## ZEN 102 LIMITED EDITION

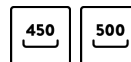


## Technical Drawing



0

<b>Description</b>	1-bowl sink
<b>Model</b>	ZEN 102 LIMITED EDITION
<b>Base (mm)</b>	450 (Inset), 500 (Undermount)
<b>0</b>	Inset, Undermount Undermount
<b>Dimensions (mm)</b>	456 x 456
<b>Hole for built-in installation (mm)</b>	445 x 445 R5 (Inset), 400 x 400 R10 (Undermount)
<b>Bowl Depth (mm)</b>	200

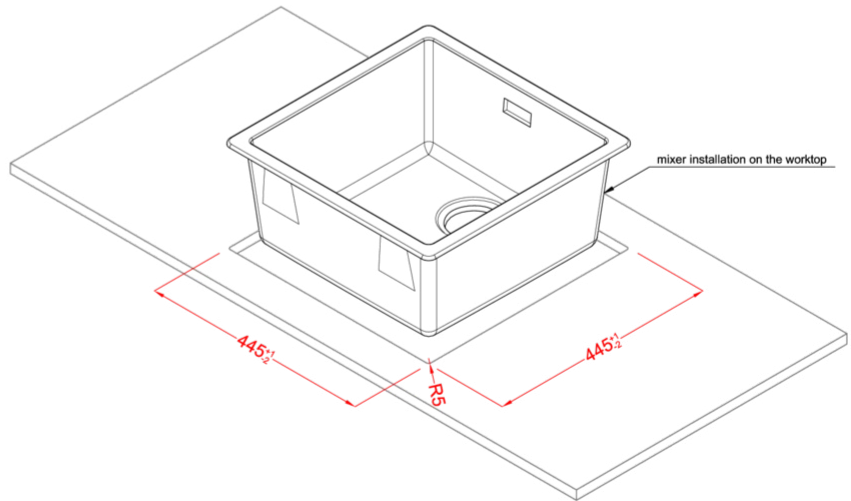
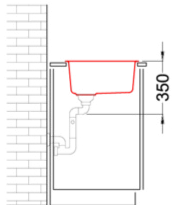
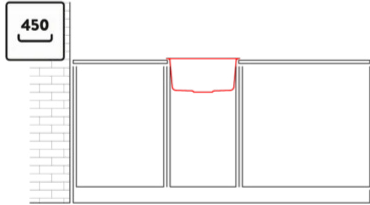
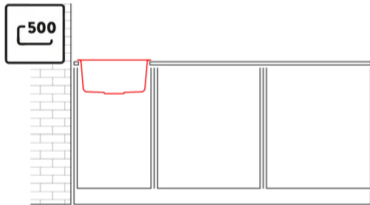
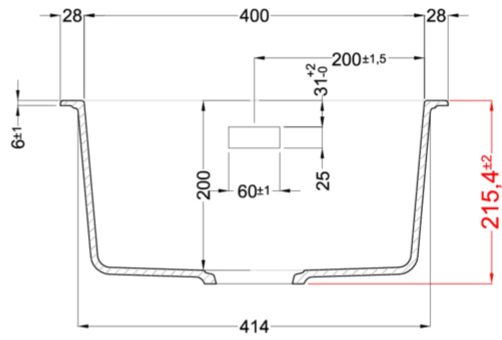
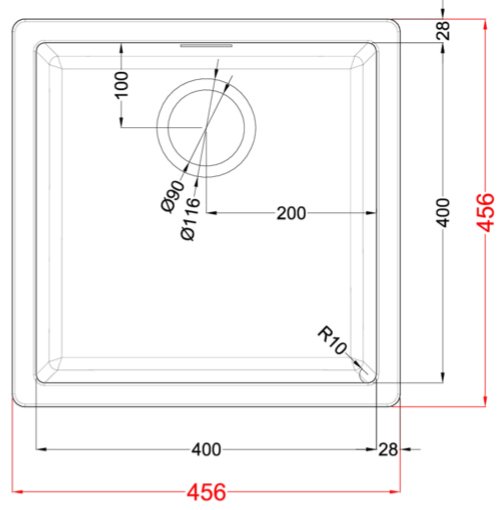
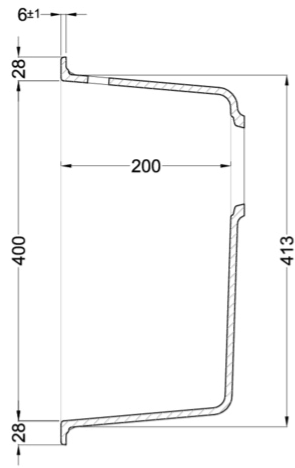


0

<b>Packaging Dimension (kg)</b>	575 x 575 x 300
<b>0 (kg)</b>	0,099

0

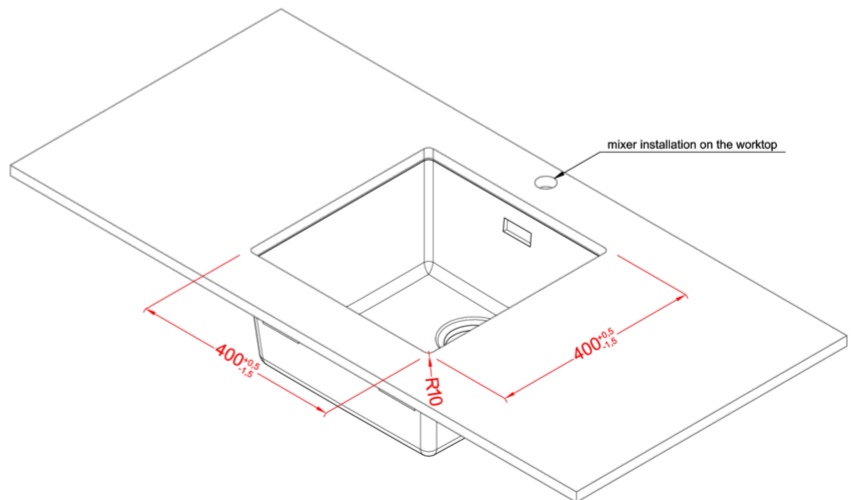
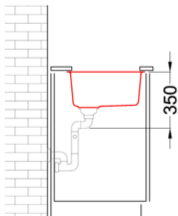
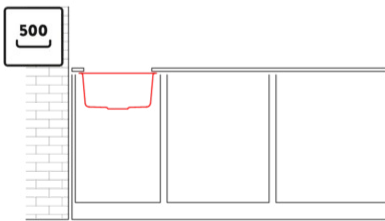
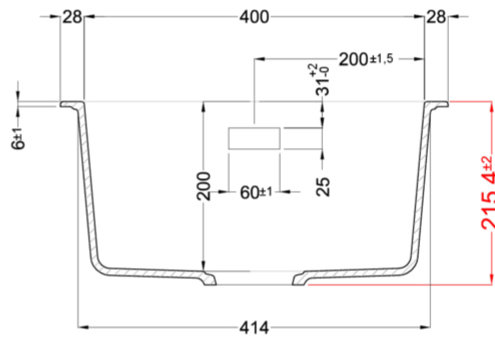
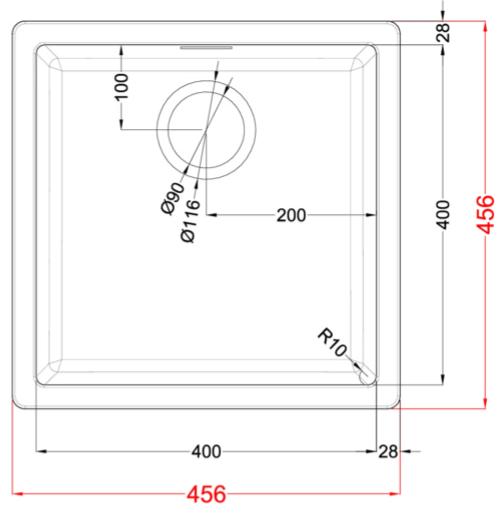
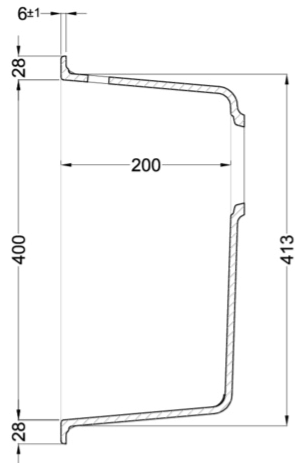
<b>Packaging</b>	Cardboard and polyethylene
------------------	----------------------------



# Zen 102

general tolerances where not expressly communicated  $\pm 1$  mm  
 connection dimensions according to UNI EN 695  
 eventual exceptions are reported with \*





## Zen 102 Undermount

general tolerances where not expressly communicated  $\pm 1$  mm  
 connection dimensions according to UNI EN 695  
 eventual exceptions are reported with \*

elleci

