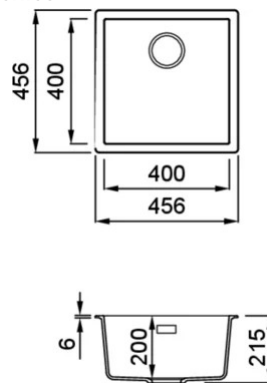


ZEN 102 LIMITED EDITION

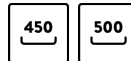


Disegno tecnico



CARATTERISTICHE PRODOTTO

Descrizione	Lavello 1 vasca
Modello	ZEN 102 LIMITED EDITION
Base (mm)	450 (Sopratop), 500 (Sottotop)
Installazioni	Sopratop, Sottotop
Dimensioni (mm)	456 x 456
Foro da Incasso (mm)	445 x 445 R5 (Sopratop), 400 x 400 R10 (Sottotop)
Profondità Vasca (mm)	200

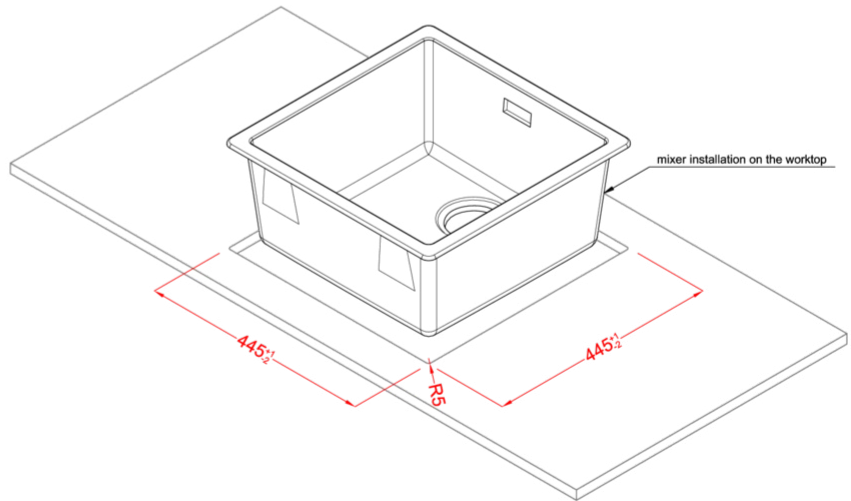
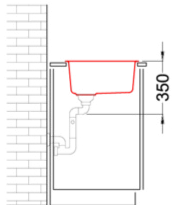
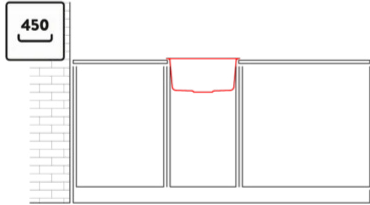
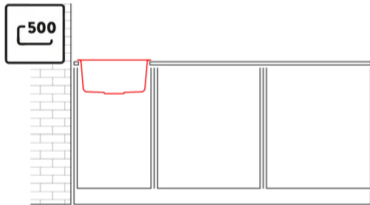
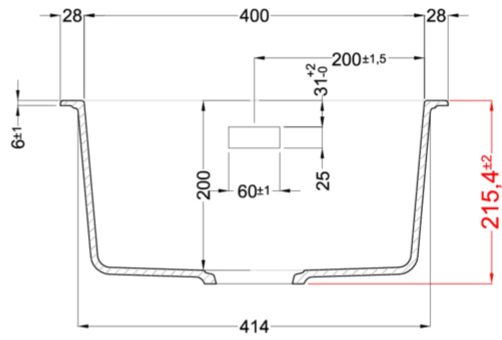
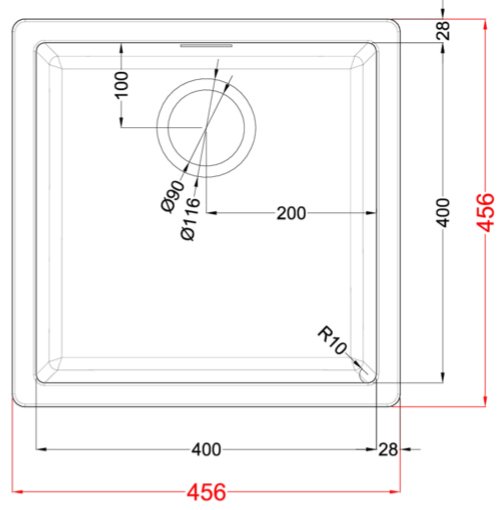
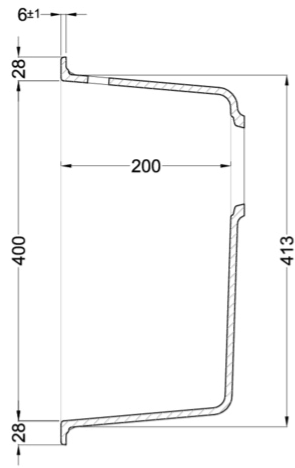


DATI LOGISTICI

Dimensioni Imballo (kg)	575 x 575 x 300
Volume Imballo (kg)	0,099

CARATTERISTICHE IMBALLO

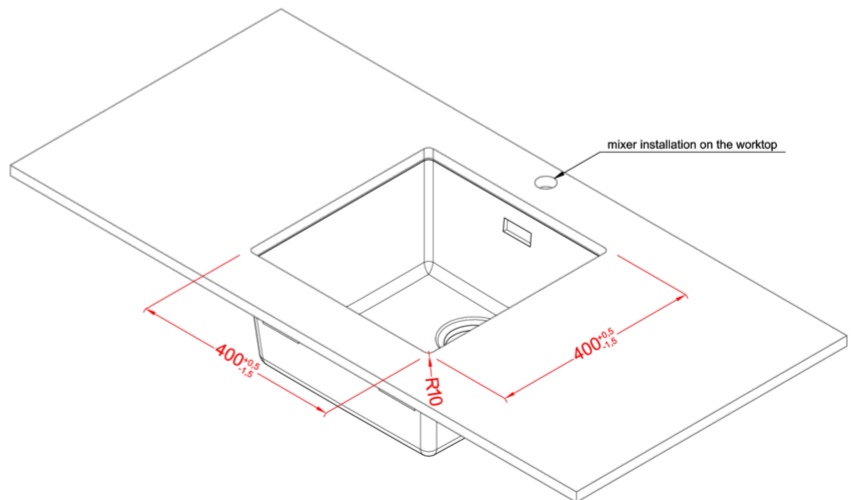
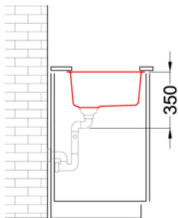
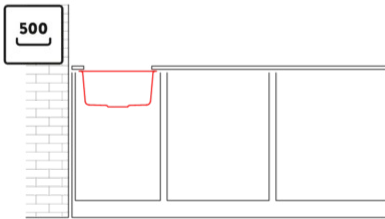
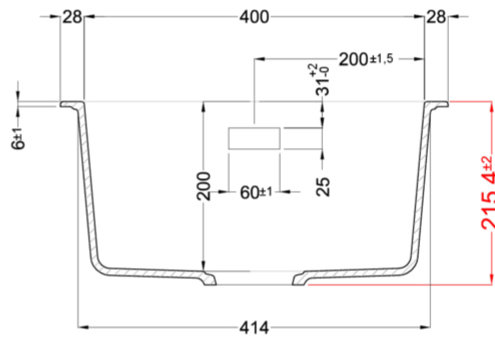
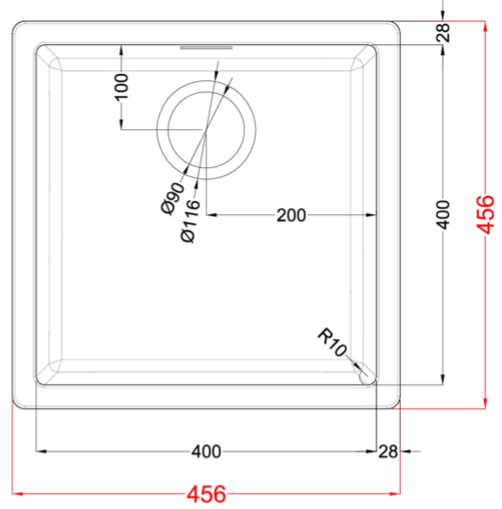
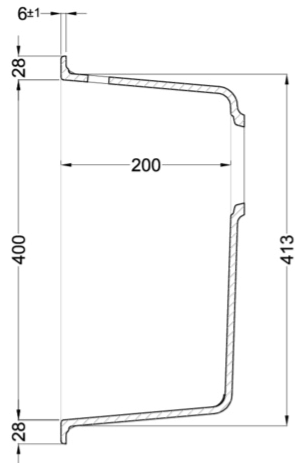
Imballo	Cartone e polietilene
----------------	-----------------------



Zen 102

general tolerances where not expressly communicated ± 1 mm
 connection dimensions according to UNI EN 695
 eventual exceptions are reported with *





Zen 102 Undermount

general tolerances where not expressly communicated ± 1 mm
 connection dimensions according to UNI EN 695
 eventual exceptions are reported with *

elleci

