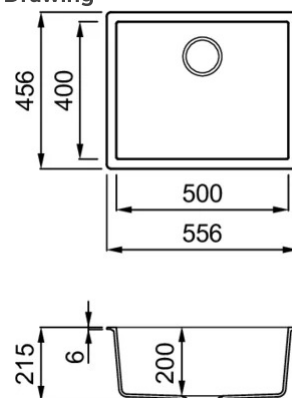


ZEN 105 LIMITED EDITION



Technical Drawing



0

Description	1-bowl sink
Model	ZEN 105 LIMITED EDITION
Base (mm)	600
0	Inset, Undermount Undermount
Dimensions (mm)	556 x 456
Hole for built-in installation (mm)	545 x 445 R5 (Inset), 500 x 400 R10 (Undermount)
Number of Bowls	1
Bowl Depth (mm)	200

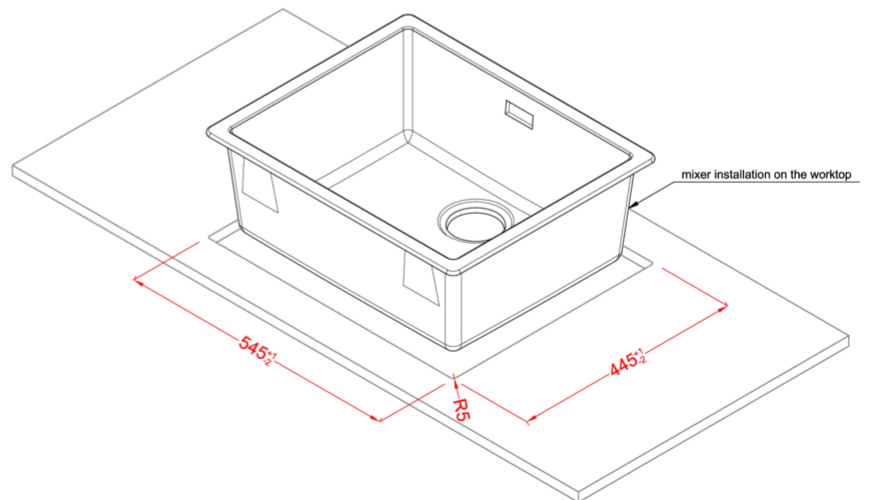
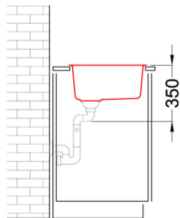
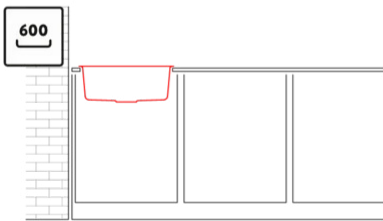
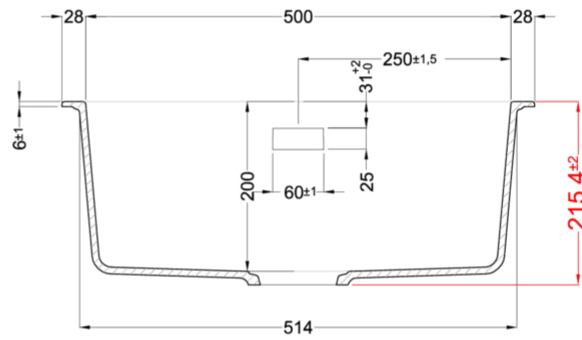
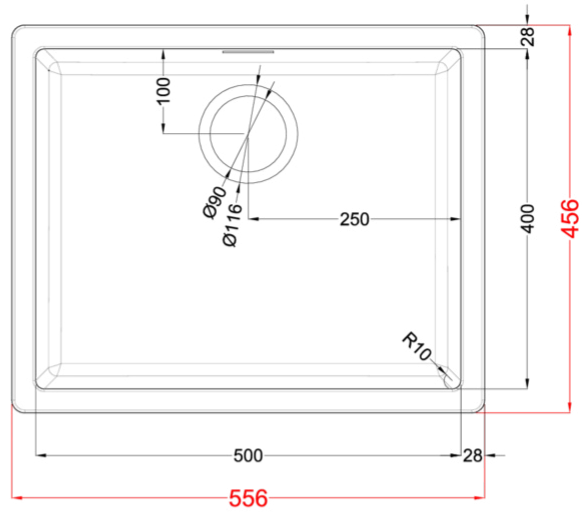
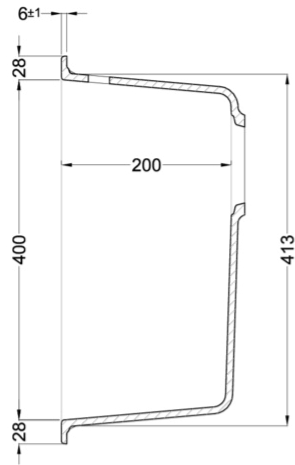


0

Gross Weight (kg)	12,51
Net Weight (kg)	7,40
Packaging Dimension (kg)	690 x 575 x 300
0 (kg)	0,119

0

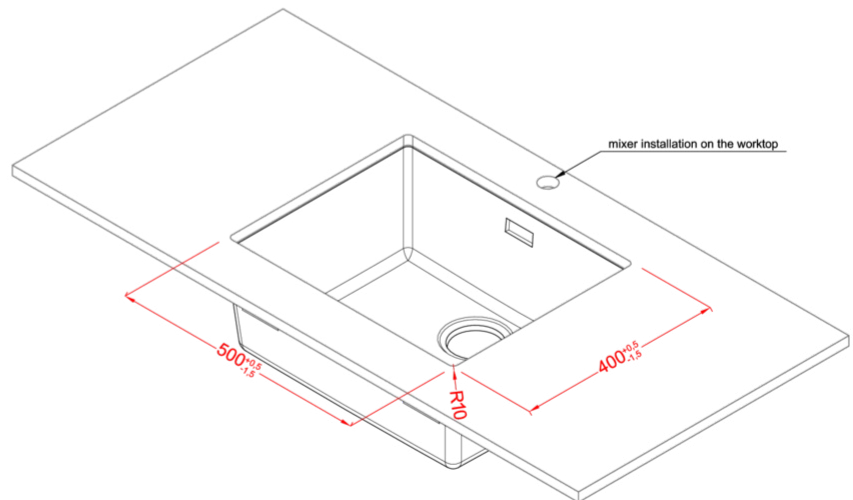
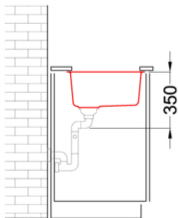
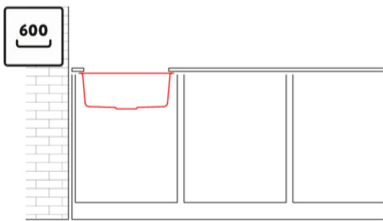
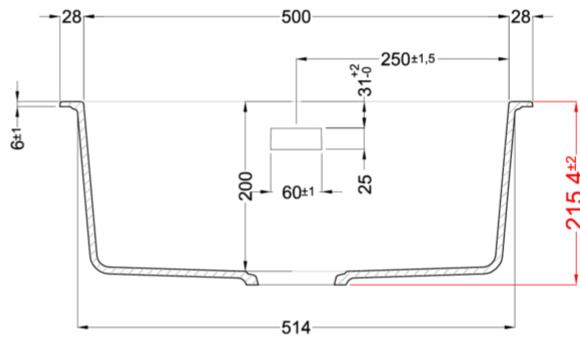
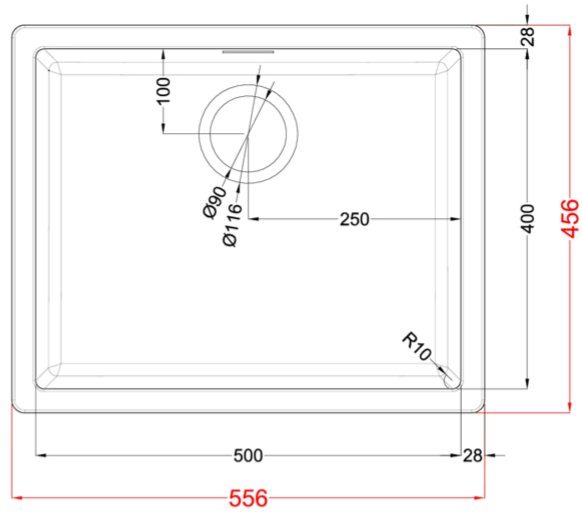
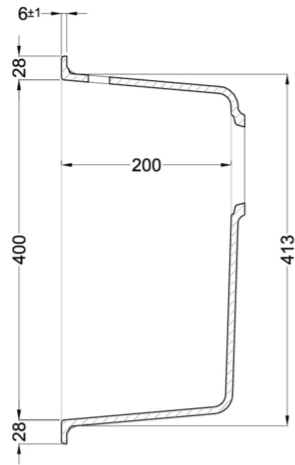
Packaging	Cardboard and polyethylene
------------------	----------------------------



Zen 105

general tolerances where not expressly communicated ± 1 mm
 connection dimensions according to UNI EN 695
 eventual exceptions are reported with *

elleci



Zen 105 Undermount

general tolerances where not expressly communicated ±1 mm
 connection dimensions according to UNI EN 695
 eventual exceptions are reported with *

elleci

