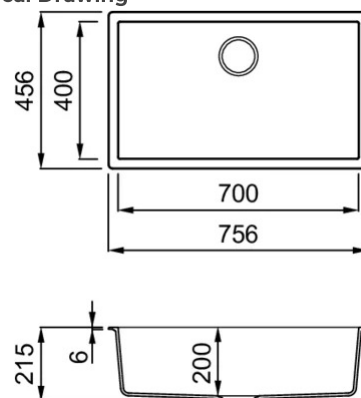


## ZEN 130 LIMITED EDITION



### Technical Drawing



0

<b>Description</b>	1-bowl sink
<b>Model</b>	ZEN 130 LIMITED EDITION
<b>Base (mm)</b>	800
<b>0</b>	Inset, Undermount Undermount
<b>Dimensions (mm)</b>	756 x 456
<b>Hole for built-in installation (mm)</b>	745 x 445 R5 (Inset), 700 x 400 R10 (Undermount)
<b>Number of Bowls</b>	1
<b>Bowl Depth (mm)</b>	200

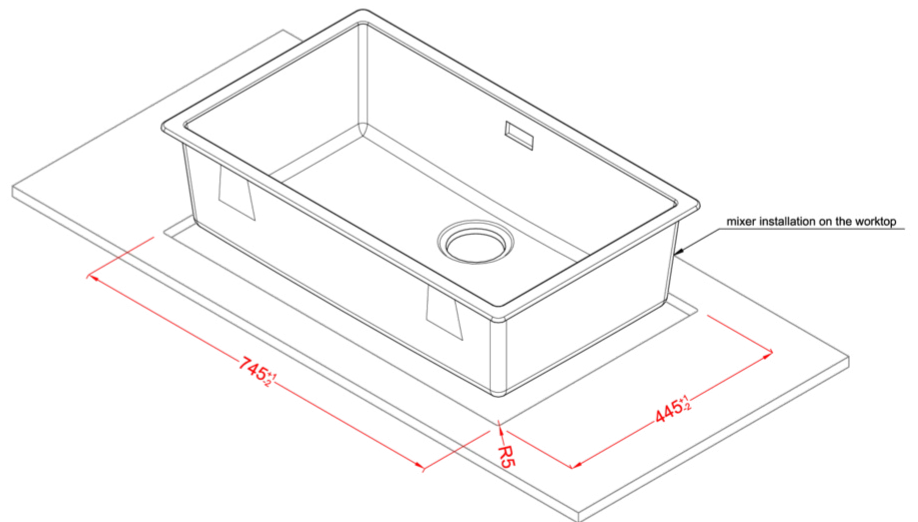
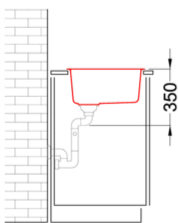
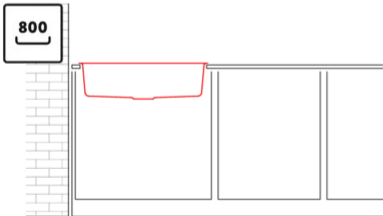
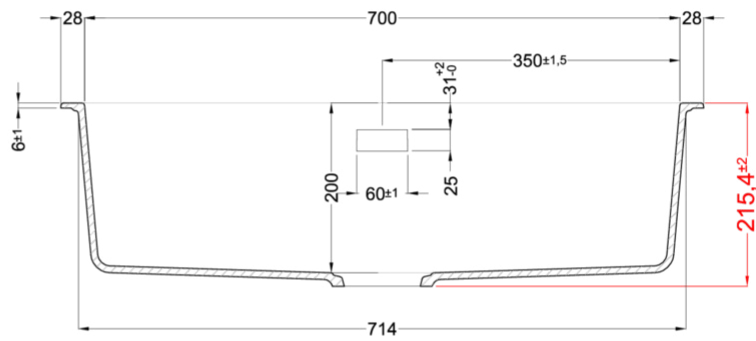
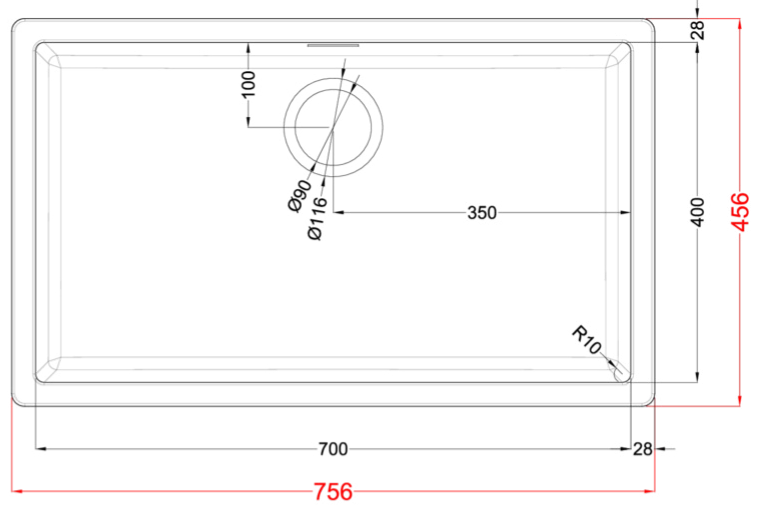
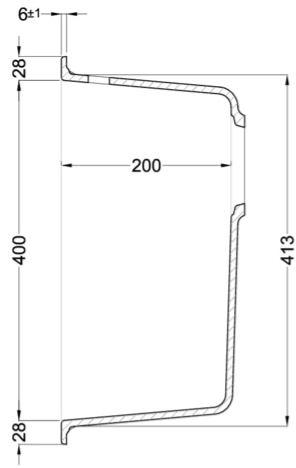


0

<b>Gross Weight (kg)</b>	15,43
<b>Net Weight (kg)</b>	10,00
<b>Packaging Dimension (kg)</b>	870 x 575 x 300
<b>0 (kg)</b>	0,150

0

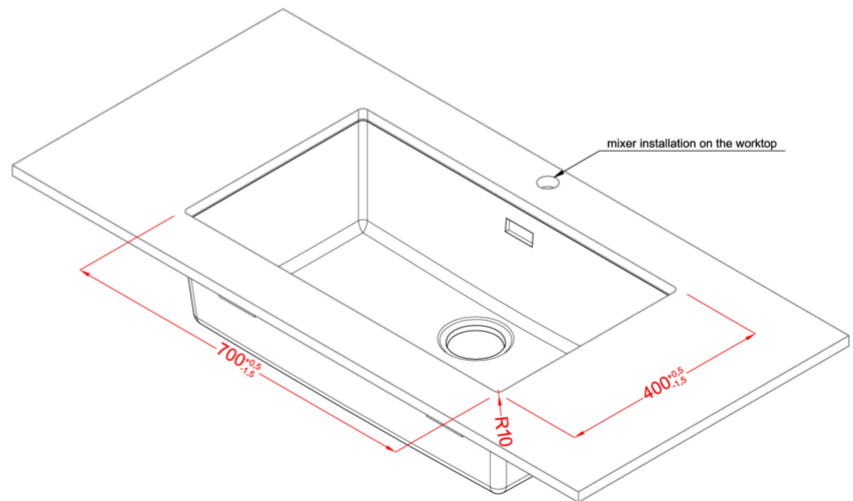
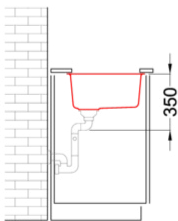
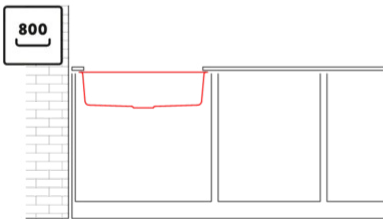
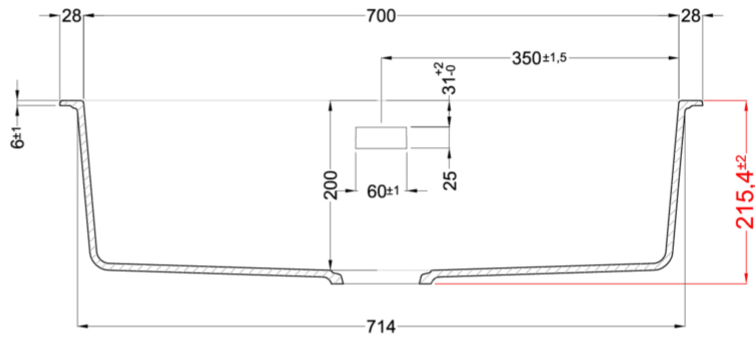
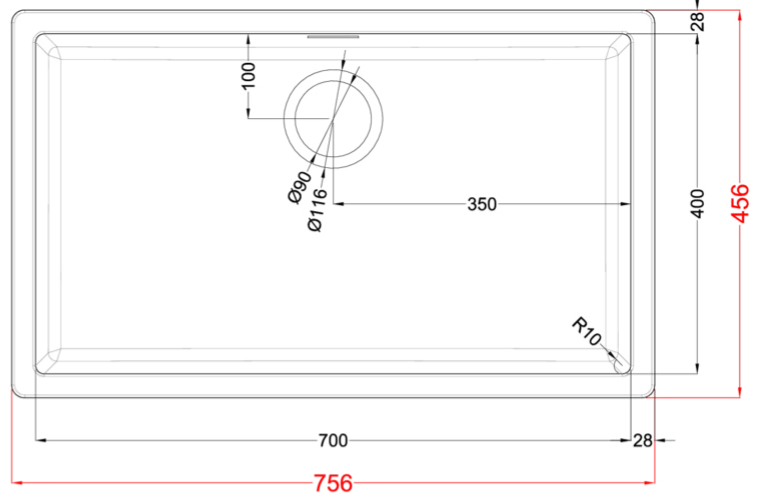
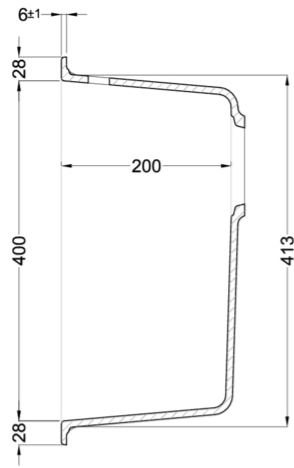
<b>Packaging</b>	Cardboard and polyethylene
------------------	----------------------------



## Zen 130

general tolerances where not expressly communicated  $\pm 1$  mm  
 connection dimensions according to UNI EN 695  
 eventual exceptions are reported with \*

elleci



## Zen 130 Undermount

general tolerances where not expressly communicated  $\pm 1$  mm  
 connection dimensions according to UNI EN 695  
 eventual exceptions are reported with \*

elleci