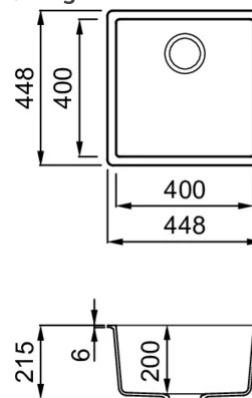


ZEN-F 102 LIMITED EDITION



Technical Drawing



0

Description	1-bowl sink
Model	ZEN-F 102 LIMITED EDITION
Base (mm)	500
0	Flushmount
Dimensions (mm)	448 x 448
Hole for built-in installation (mm)	as per drawing
Bowl Depth (mm)	200

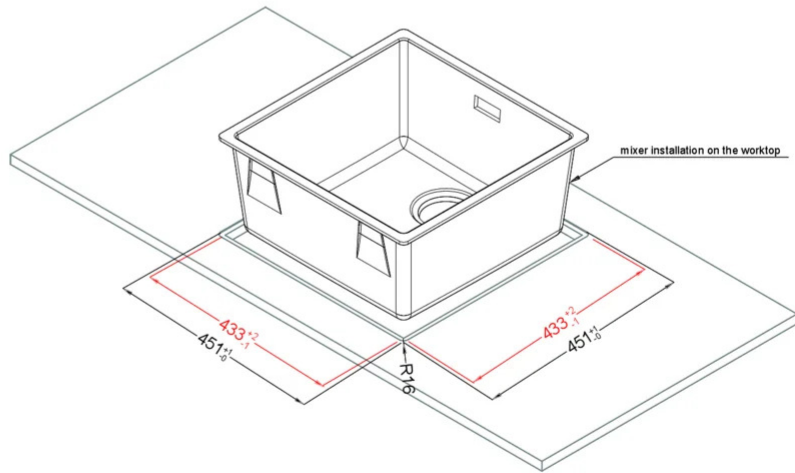
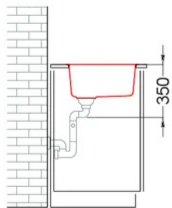
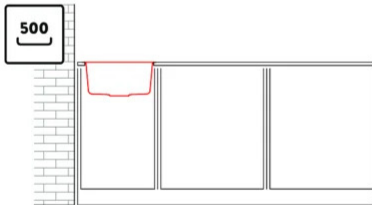
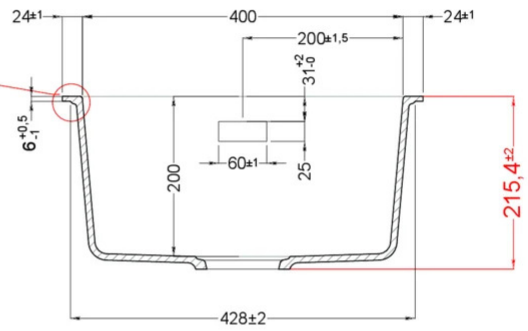
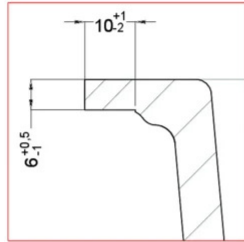
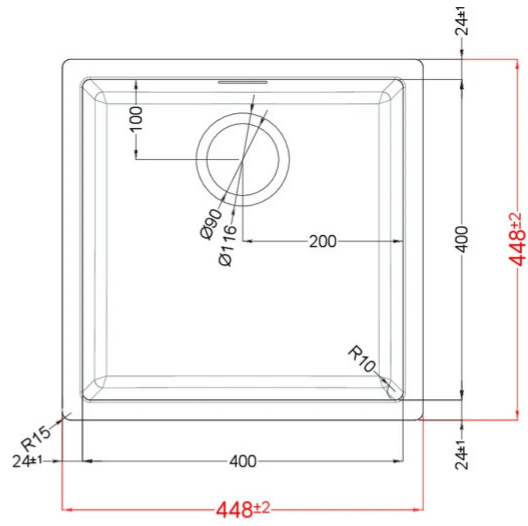
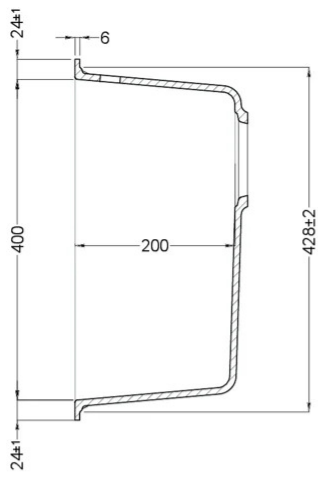


0

Packaging Dimension (kg)	575 x 575 x 300
0 (kg)	0,099

0

Packaging	Cardboard and polyethylene
------------------	----------------------------



Zen 102 F01 Flushmount

general tolerances where not expressly communicated ± 1 mm
 connection dimensions according to UNI EN 695
 eventual exceptions are reported with *

elleci