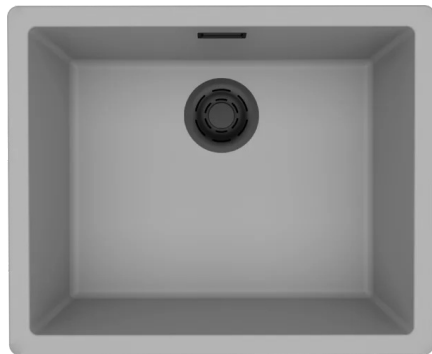
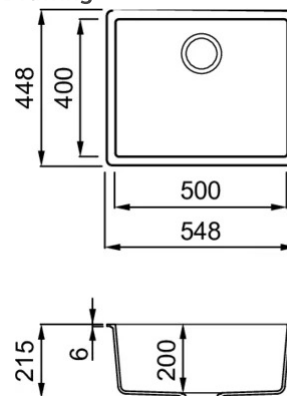


# ZEN-F 105 LIMITED EDITION



## Technical Drawing



0

<b>Description</b>	1-bowl sink
<b>Model</b>	ZEN-F 105 LIMITED EDITION
<b>Base (mm)</b>	600
<b>0</b>	Flushmount
<b>Dimensions (mm)</b>	548 x 448
<b>Hole for built-in installation (mm)</b>	as per drawing
<b>Bowl Depth (mm)</b>	200

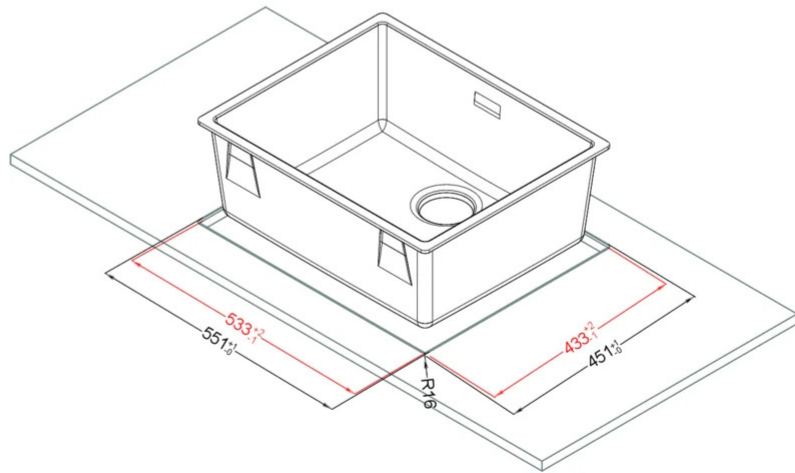
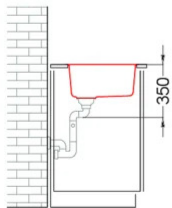
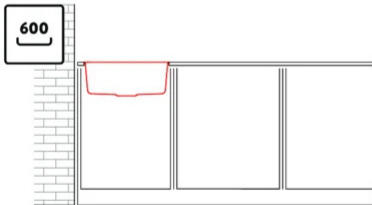
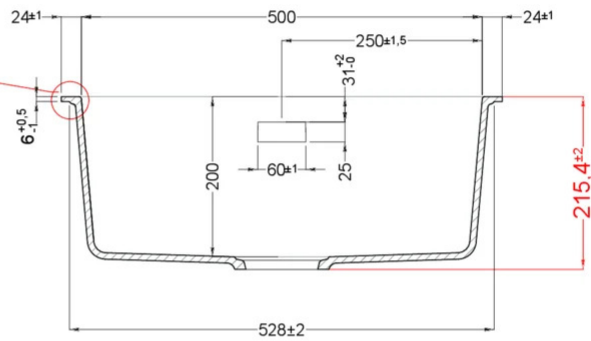
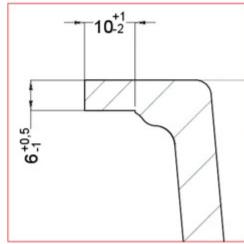
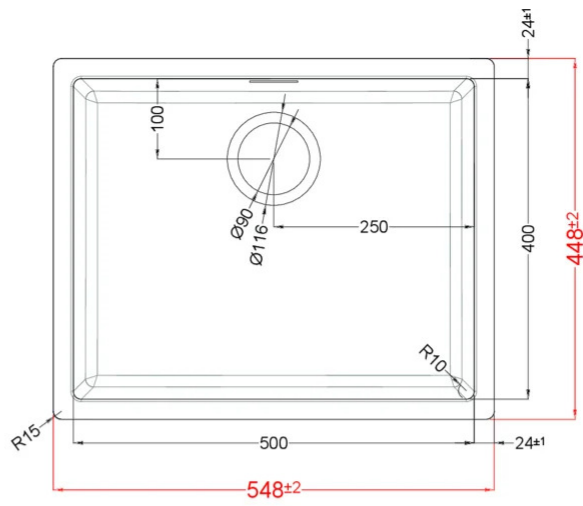
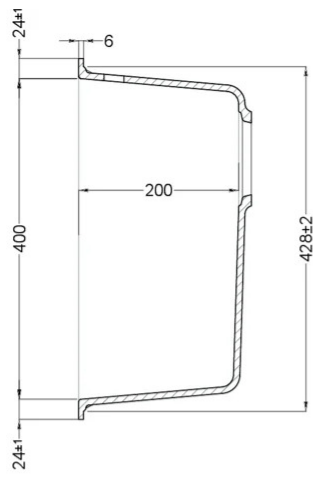


0

<b>Packaging Dimension (kg)</b>	690 x 575 x 300
<b>0 (kg)</b>	0,119

0

<b>Packaging</b>	Cardboard and polyethylene
------------------	----------------------------



## Zen 105 F01 Flushmount

general tolerances where not expressly communicated  $\pm 1$  mm  
 connection dimensions according to UNI EN 695  
 eventual exceptions are reported with \*

elleci