

ADIGE



FEATURES

Description	Single-lever tap with swivel spout
Model	ADIGE
Base (mm)	50
(ømm)	35
	360°
Flexi-hose	Stainless Steel 3/8"
(ømm)	35

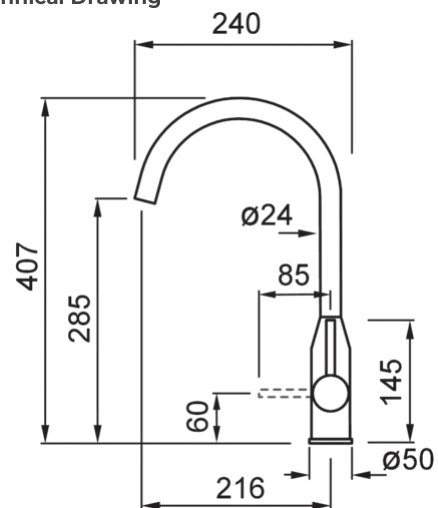
LOGISTIC DATA

Gross Weight (kg)	2,14
Net Weight (kg)	1,84
Packaging Dimension (kg)	56 x 29,5 x 7,5
Packaging Volume (kg)	0,012

PACKAGING FEATURES

Packaging	Cardboard box
------------------	---------------

Technical Drawing



KERATEK



MKKADI86 K86
8032557560654



MKKADI96 K96
8032557560661

GRANITEK

MATT



MGKADI40 G40
8031873102456



MGKADI68 G68
8031873102494

INOX



MIKADIIN IN
8031873651336

