

BRIDGE



FEATURES

Description	Single-lever tap with swivel spout
Model	BRIDGE
Base (mm)	50
(ømm)	35
	360°
Flexi-hose	Stainless Steel 3/8"
(ømm)	25

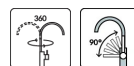
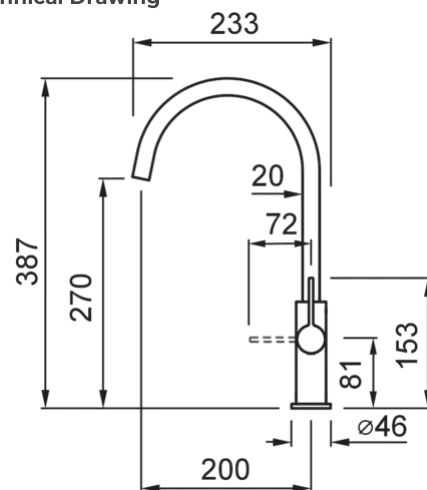
LOGISTIC DATA

Gross Weight (kg)	1,90
Net Weight (kg)	1,40
Packaging Dimension (kg)	56 x 29,5 x 9
Packaging Volume (kg)	0,015

PACKAGING FEATURES

Packaging	Cardboard box
------------------	---------------

Technical Drawing



KERATEK



MKKBRI96 K96
8032557561569



MKKBRI86 K86
8032557561576

GRANITEK

MATT



MGKBRI40 G40
8031873101862



MGKBRI43 G43
8031873102425



MGKBRI48 G48
8031873102081



MGKBRI68 G68
8031873101039

CROMATO



MIKBRICR CR
8031873650704

