

CHEF



FEATURES

Description	Single-lever tap with tall swivel spout and pull-out sprayer
Model	CHEF
Base (mm)	50
(\varnothing mm)	35
	360°
Flexi-hose	Stainless Steel 3/8"
(\varnothing mm)	35

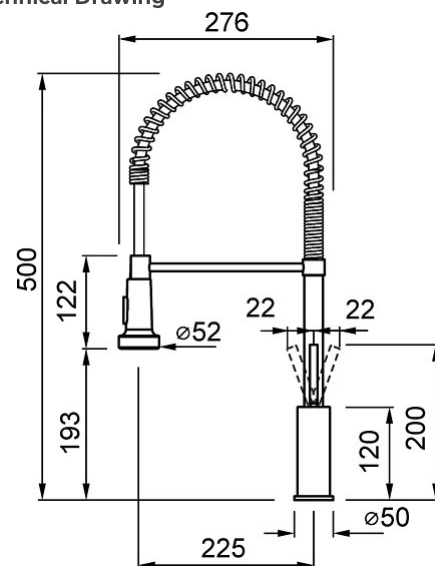
LOGISTIC DATA

Gross Weight (kg)	3,24
Net Weight (kg)	2,48
Packaging Dimension (kg)	48,5 x 25 x 9
Packaging Volume (kg)	0,011

PACKAGING FEATURES

Packaging	Cardboard box
------------------	---------------

Technical Drawing



CROMATO



MIKCHECR CR
8031873650575

