

## DORA PLUS



### FEATURES

<b>Description</b>	Single-lever tap with swivel spout and pull-out sprayer
<b>Model</b>	DORA PLUS
<b>Base (mm)</b>	50
<b>(ømm)</b>	35
	360°
<b>Flexi-hose</b>	Stainless Steel 3/8"
<b>(ømm)</b>	35

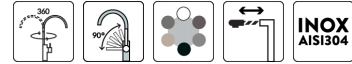
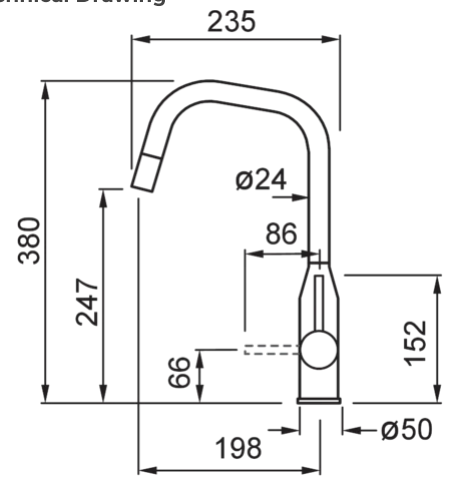
### LOGISTIC DATA

<b>Gross Weight (kg)</b>	2,14
<b>Net Weight (kg)</b>	1,84
<b>Packaging Dimension (kg)</b>	56 x 29,5 x 7,5
<b>Packaging Volume (kg)</b>	0,012

### PACKAGING FEATURES

<b>Packaging</b>	Cardboard box
------------------	---------------

### Technical Drawing



## KERATEK



**MKKDRP86** K86  
8032557560715



**MKKDRP96** K96  
8032557560746

## GRANITEK

### MATT



**MGKDRP40** G40  
8031873102593



**MGKDRP68** G68  
8031873102623

**INOX**



**MIKDRPIN IN**  
8031873651398

