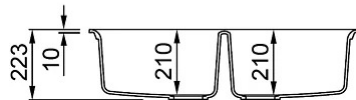
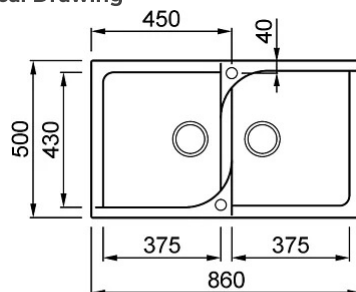


EGO 450



Technical Drawing



FEATURES

Description	2-bowl sink
Model	EGO 450
Base (mm)	900
Installations	Inset
Dimensions (mm)	860 x 500
Hole for built-in installation (mm)	840 x 485
Number of Bowls	2
Bowl Depth (mm)	210

LOGISTIC DATA

Gross Weight (kg)	19,78
Net Weight (kg)	13,80
Packaging Dimension (kg)	940 x 575 x 300
Packaging Volume (kg)	0,162

PACKAGING FEATURES

Packaging	Cardboard and polyethylene
Sink kit	Space-saving siphon, wastes and hooks.

GRANITEK



LGE45039 G39
8031873008208



LGE45078 G78
8032557066972

GRANITEK

METAL



LME45079 M79
8032557952848

GRANITEK

MATT



LGE45040 G40
8032557049449



LGE45043 G43
8032861048008



LGE45048 G48
8032557031185



LGE45068 G68
8032861059363

GRANITEK

CLASSIC



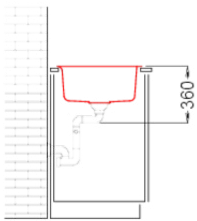
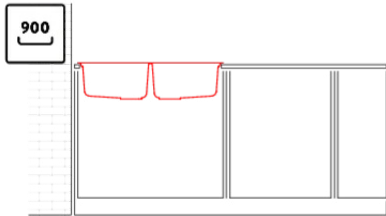
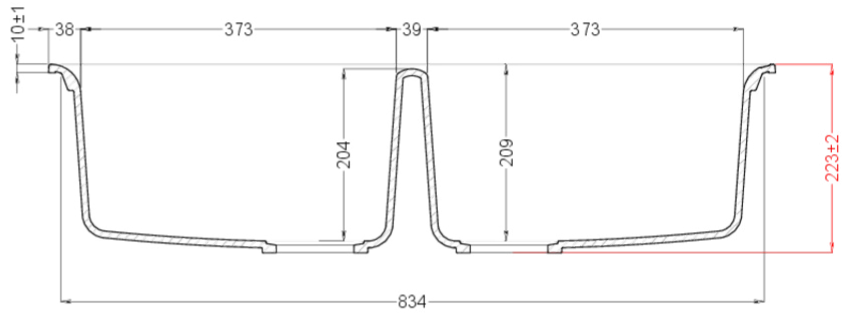
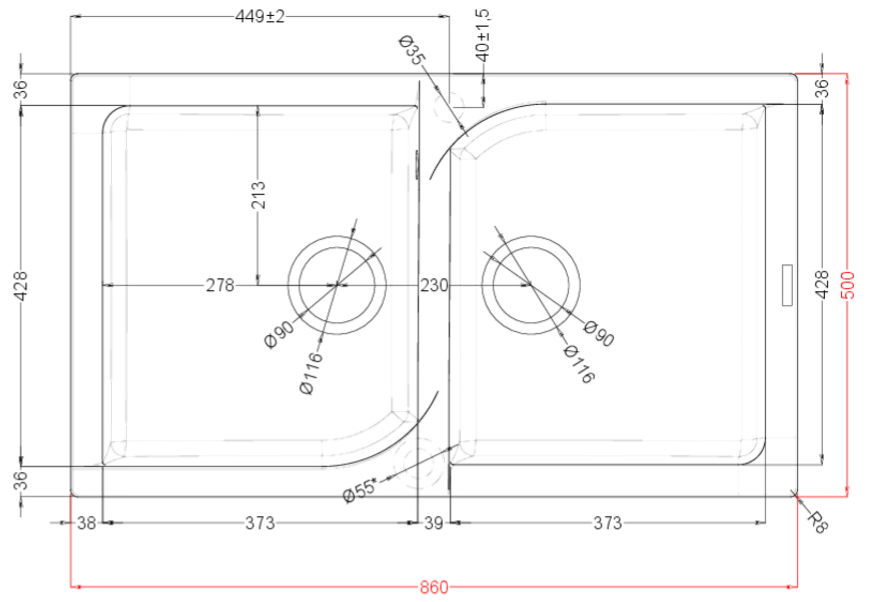
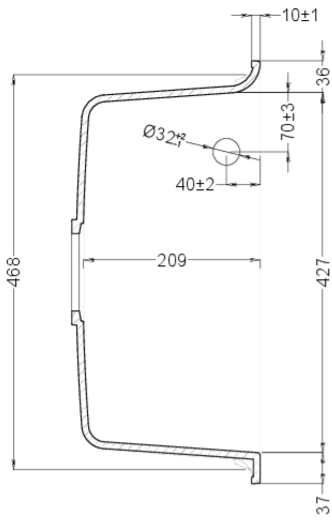
LGE45051 G51
8032861059295



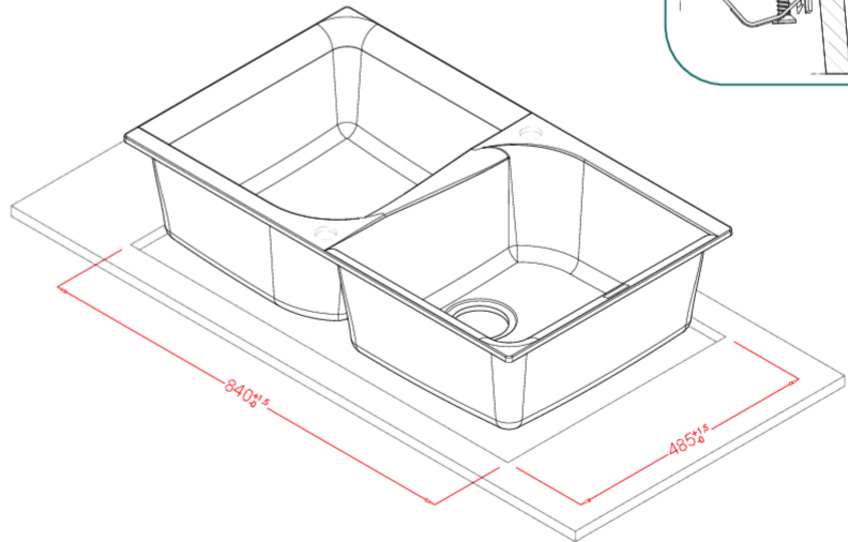
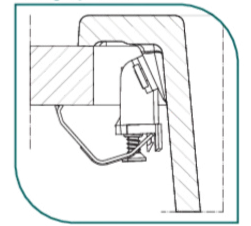
LGE45059 G59
8032861059349



LGE45062 G62
8032861059356



Fixing System



Ego 450

general tolerances where not expressly communicated ±0,4%
connection dimensions according to UNI EN 695
eventual exceptions are reported with *

elleci