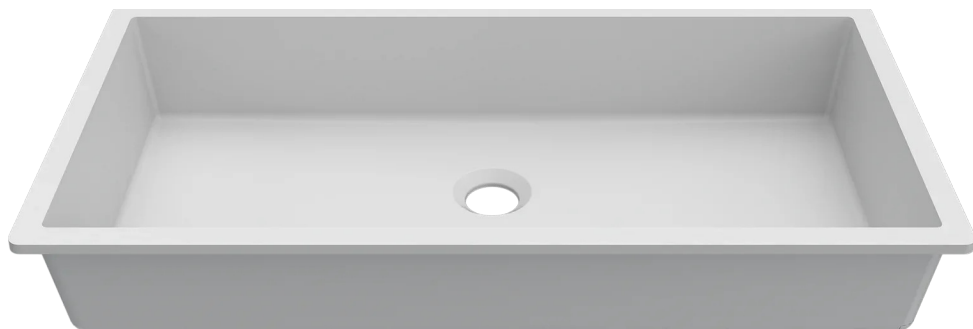
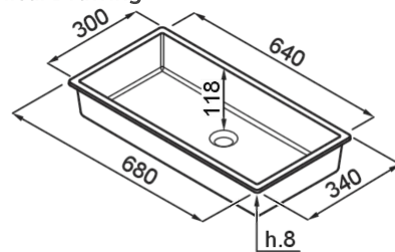


INTENSO QUADRO 64



Technical Drawing



FEATURES

Description	1-bowl washbasin
Model	INTENSO QUADRO 64
Installations	Undermount, Inset, Integrated
Dimensions (mm)	680 x 340
Hole for built-in installation (mm)	640x300
Number of Bowls	1
Bowl Depth (mm)	130

DURATEK



BDIQU064BK30 BLACK
8031873764401



BDIQU064WH30 WHITE
8031873764418

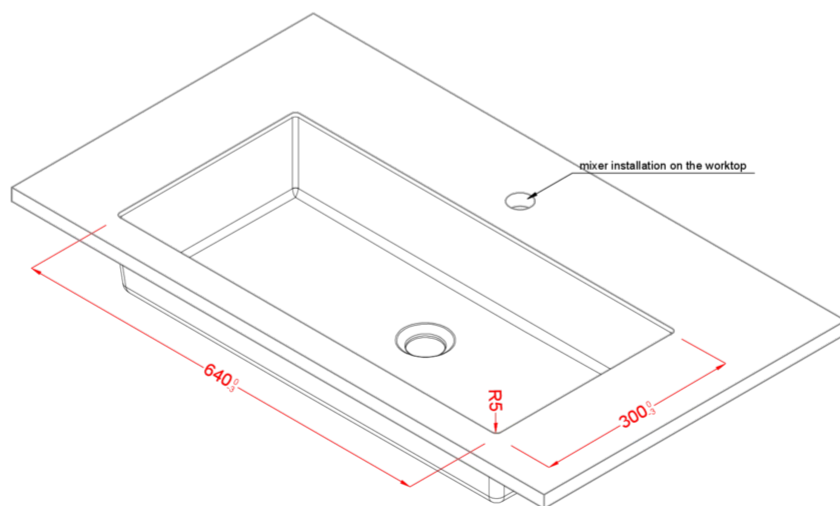
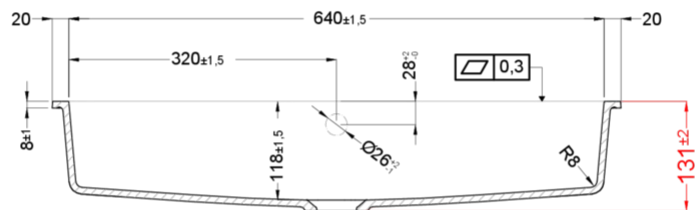
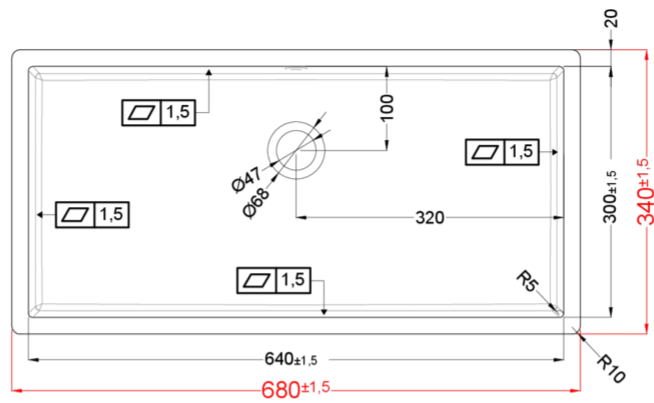


BDIQU064GR30 GREY
8031873764425



BDIQU064CA30
8031873010904

BDIQU064SG30 SAGE GREEN
8031873010928



INTENSO QUADRO 64 INTEGRATED

general tolerances where not expressly communicated $\pm 0.2\%$
connection dimensions according to UNI EN 31

