

NAMI



FEATURES

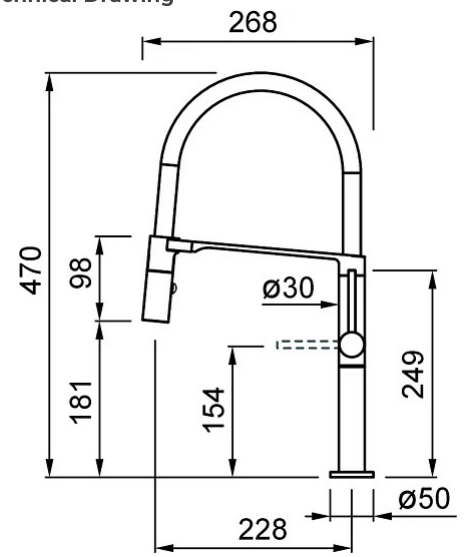
Description

Model	NAMI
Base (mm)	50
(\varnothing mm)	35
	360°
Flexi-hose	Stainless Steel 3/8"
(\varnothing mm)	25

PACKAGING FEATURES

Packaging	Cardboard box
------------------	---------------

Technical Drawing



MOKNAMBK BK
8031873005153



MOKNAMGM GM
8031873005160