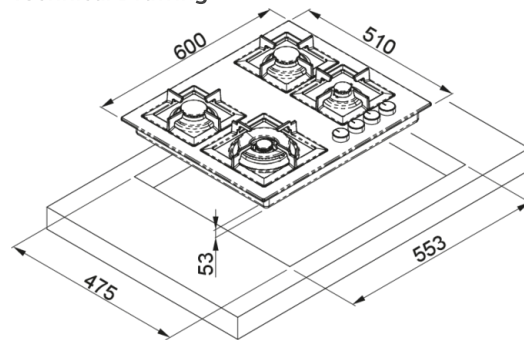


## PLANO 60



## Technical Drawing



### FEATURES

**Description** Enamelled built-in gas hob

**Model** PLANO 60

**Dimensions (mm)** 600 x 510

**Hole for built-in installation (mm)** 553 x 475

Black knobs

(mm) 8 mm

(mm) 45 mm

---



### LOGISTIC DATA

**Gross Weight (kg)** 12,15

**Net Weight (kg)** 10,70

**Packaging Dimension (kg)** 650 X 590 X 130

**Packaging Volume (kg)** 0,050

### PACKAGING FEATURES

**Packaging** Cardboard, polystyrene

## GRANITEK

### METAL



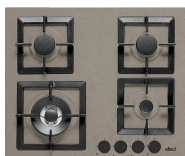
**PMSP60179WS** M79  
8031873960346

## GRANITEK

### MATT



**PGSP60168WS** G68  
8031873150594



**PGSP60143WS** G43  
8031873150761



**PGSP60140WS** G40  
8031873150587

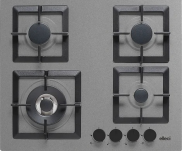
# GRANITEK

CLASSIC



**PGSP60151WS G51**  
8031873150570

## FINITURE



**PGSP60148WS G48**  
8031873005535

## INOX



**PIAP601INWS IN**  
8032557700203