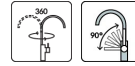
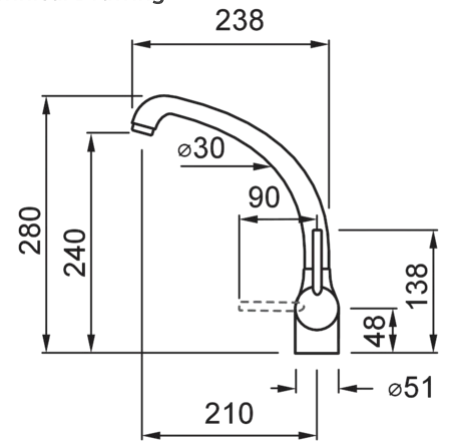


PO



Technical Drawing



FEATURES

| | |
|---------------------|------------------------------------|
| Description | Single-lever tap with swivel spout |
| Model | PO |
| Base (mm) | 50 |
| (\varnothing mm) | 35 |
| | 360° |
| Flexi-hose | Stainless Steel 3/8" |
| (\varnothing mm) | 35 |

LOGISTIC DATA

| | |
|---------------------------------|-------------|
| Gross Weight (kg) | 2,10 |
| Net Weight (kg) | 1,60 |
| Packaging Dimension (kg) | 39 x 27 x 6 |
| Packaging Volume (kg) | 0,006 |

PACKAGING FEATURES

| | |
|------------------|---------------|
| Packaging | Cardboard box |
|------------------|---------------|

GRANITEK

MATT



MGKPO40 G40
8031873100766



MGKPO68 G68
8031873100735

GRANITEK

CLASSIC



MGKPO51 G51
8032861108474



MGKPO59 G59
8032861108535



MIKPOCR CR
8032861658467

